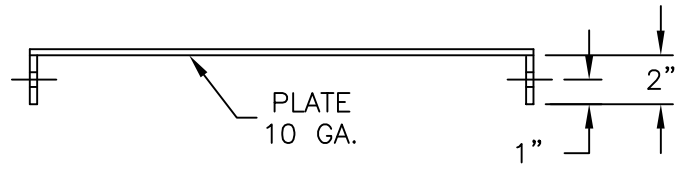
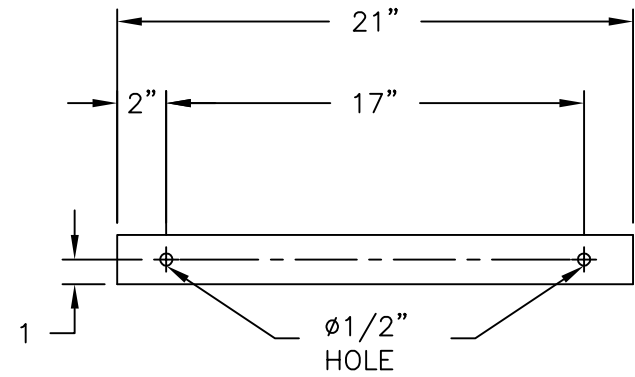


TOP VIEW



ELEVATION



END VIEW

PRODUCT CODE	GALLONS	DESCRIPTION	OVERALL SIZE	SHIP WT.
PBB004		WASTE EVAC PUMP BRACKET FOR DIAPHRAGM PUMP	1'9"L X 1'9"W X 2"H	
THIS DRAWING AND DESIGN SHOWN HEREIN IS THE PROPERTY OF CONTAINMENT SOLUTIONS. USE OR COPIES THEREOF CANNOT BE MADE WITHOUT WRITTEN CONSENT.				
CUSTOMER NAME	APPROVED BY: _____		DATE: _____	

CONTAINMENT SOLUTIONS

DRAWN BY: D. ROVANG	DATE DRAWN: 01-01-14
DWG NUMBER: PBB004	SCALE:
REV:	REV BY:
DATE:	SHEET: 1 OF 1