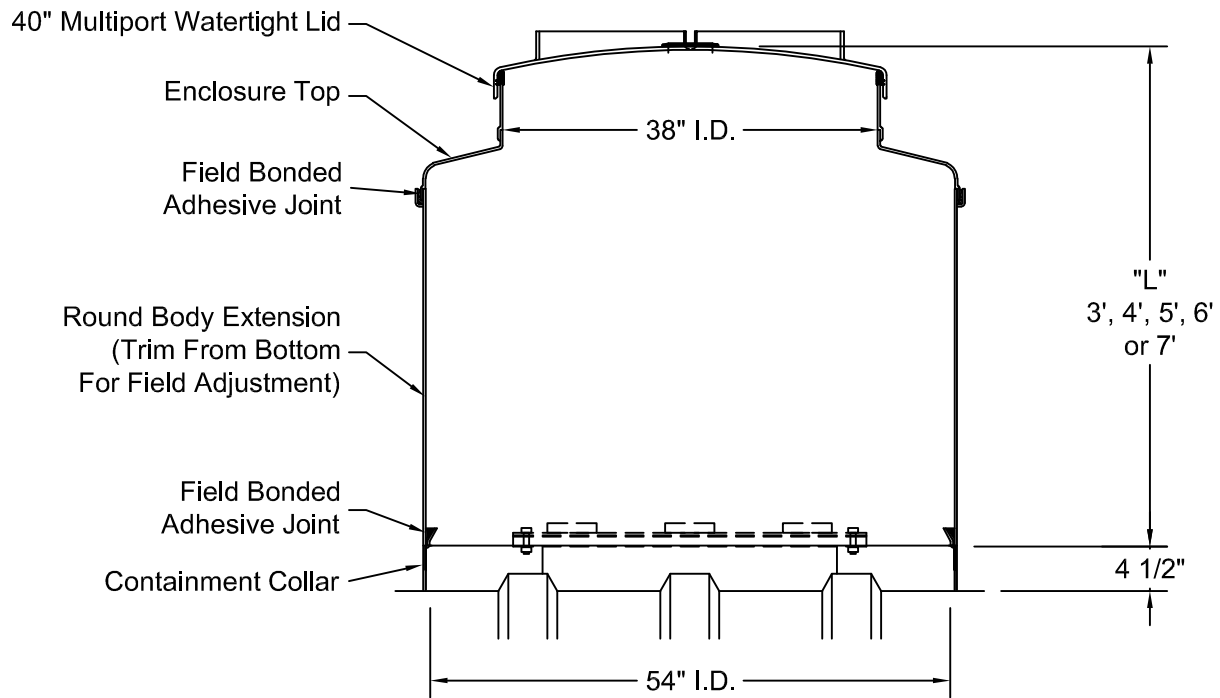
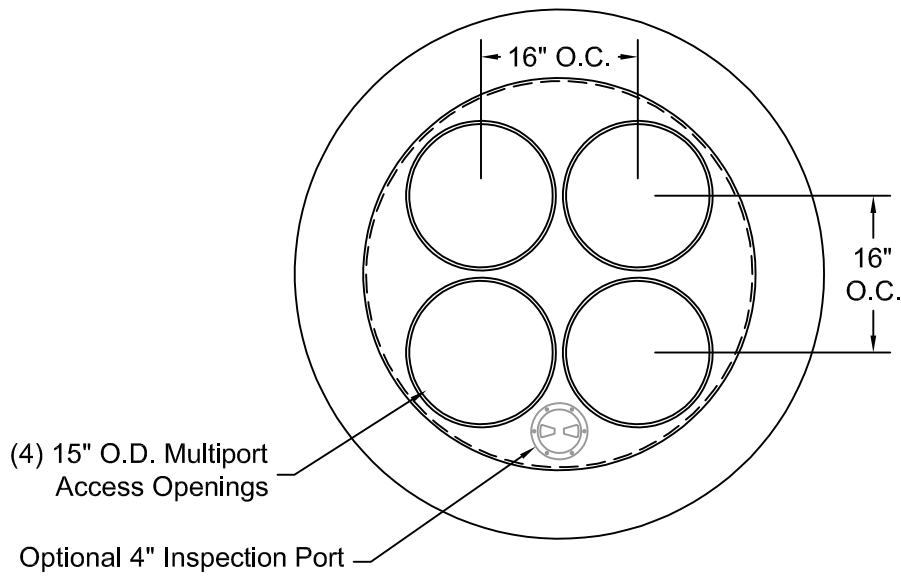


SINGLE-WALL ROUND TANK SUMP

MODEL SW RTS (WT40) 54 (FV4 15 16)

(Fill Vapor Sump-OPW)



Approval Signature: _____
Approval Date: _____
Project Name: _____
P.O Number: _____
Qty Req'd: _____
Body Ext Length: _____



CONTAINMENT
SOLUTIONS®

SW RTS (WT40) 54S (FV4 15 16).DWG
1/2013 - 12/2015