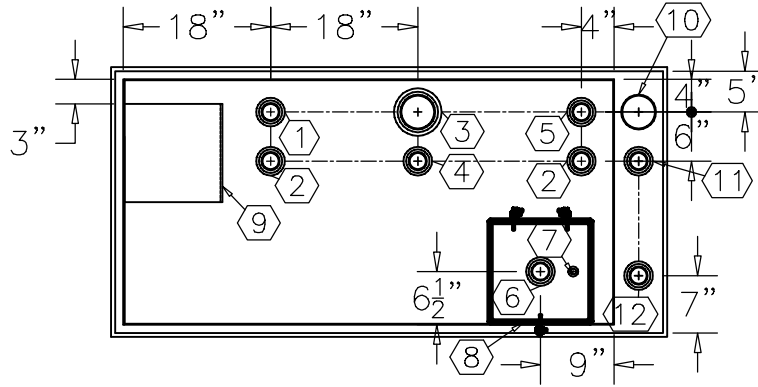


NOTE:
 OVERALL SHIPPING DIMENSION: 5'-8" L X 2'-9" W X 4'-0" H

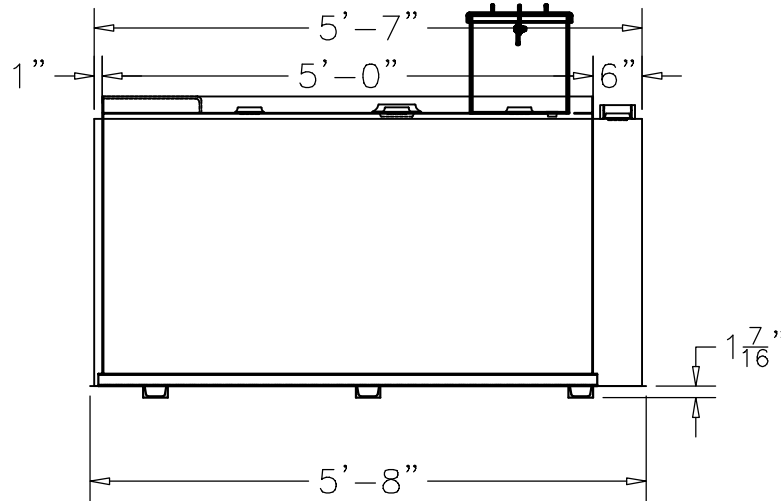


ITEM	SIZE	SUGGESTED FUNCTION
1	2"	PUMP SUPPLY
2	2"	SPARE
3	4"	PRIMARY TANK EMERGENCY VENT
4	2"	MECHANICAL GAUGE/ SPARE
5	2"	PRIMARY TANK WORKING VENT
6	2"	FILL
9	12" X 12"	PUMP BRACKET, DWG."PBB002"
7	1/2"	DRAIN FOR SPILLBOX
8	7 GAL.	SPILLBOX, DWG."SBB002"
10	4"	SECONDARY CONTAINMENT EMERGENCY VENT
11	2"	SECONDARY MONITOR PORT/ SPARE
12	2"	SECONDARY WORKING VENT

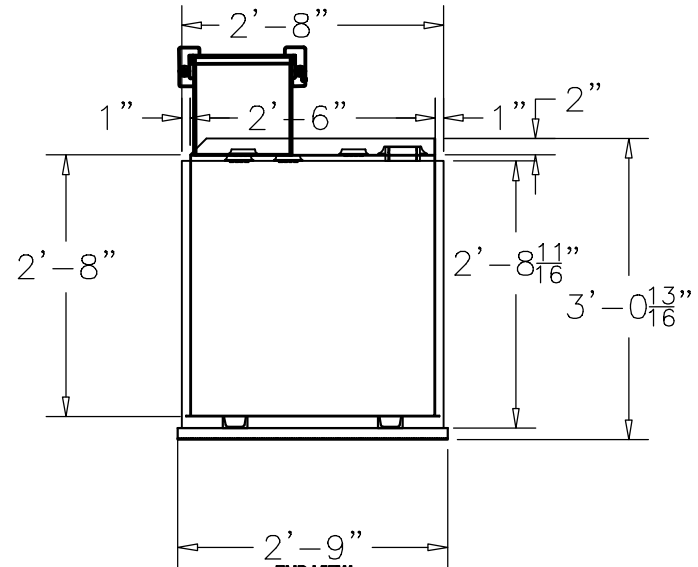
TANK SPECIFICATIONS

VENTING CAPACITY: PRIMARY TANK - 63,200 CUBIC FEET PER HOUR
 SECONDARY TANK - 63,200 CUBIC FEET PER HOUR
 MATERIAL: PRIMARY TANK - 10 GA.
 SECONDARY TANK - 10 GA.

TOP VIEW



ELEVATION



END VIEW

PRODUCT CODE	GALLONS	DESCRIPTION	OVERALL SIZE	SHIP WT.
BTAA1240DS001	240	UL-142 DOUBLE WALL BENCHTOP TANK W/SPILLBOX	5'-8" L X 2'-9" W X 3'-1" H	930 LBS.

CONTAINMENT SOLUTIONS®

THIS DRAWING AND DESIGN SHOWN HEREIN IS THE PROPERTY OF CONTAINMENT SOLUTIONS. USE OR COPIES THEREOF CANNOT BE MADE WITHOUT WRITTEN CONSENT.

CUSTOMER NAME: _____
APPROVED BY: _____ DATE: _____

DRAWN BY: D. ROVANG DATE DRAWN: 01-01-14
 DWG NUMBER: 5100246 SCALE: 1:24
 REV: _____ REV BY: _____ DATE: _____ SHEET: 1 OF 1