

POST  
TYP AT EACH  
"A-A"

1 1/4" STD. PIPE  
HANDRAIL  
(BOTH SIDES)

1 1/2" X 1 1/2"  
X 1/4" ANGLE

2" X 1/4"  
FLAT BAR

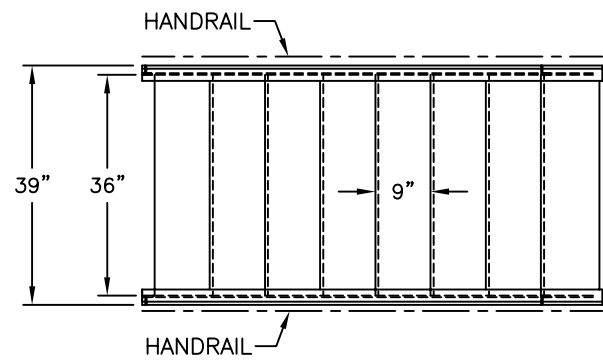
ANCHOR CLIP  
2" X 2" X 1/4"  
W/3/4" DIA HOLE

2 1/2" X 2 1/2"  
X 5/16" ANGLE

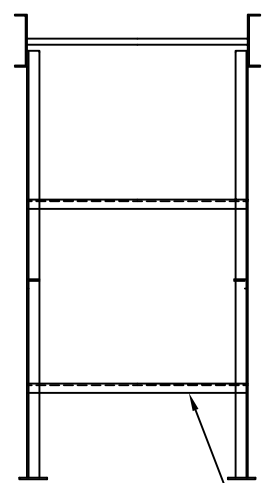
4" X 4" X 1/4" BASE PL.  
W/3/4" DIA HOLE

1 1/2" X 1 1/2"  
X 3/16" ANGLES

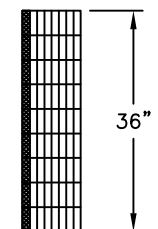
UPGRADE:  
OPTIONAL GALVANIZED FINISH.



PLAN



END VIEW  
LEG BRACING



TYP. STAIR TREAD

PRODUCT CODE	GALLONS	DESCRIPTION	OVERALL SIZE	SHIP WT.
STB007		8 STEP W/HANDRAIL	6'-4" L X 3'-3" W X 10'-1" H	725 LBS.

**CONTAINMENT SOLUTIONS**

THIS DRAWING AND DESIGN SHOWN HEREIN IS THE PROPERTY OF CONTAINMENT SOLUTIONS. USE OR COPIES THEREOF CANNOT BE MADE WITHOUT WRITTEN CONSENT.

CUSTOMER NAME: \_\_\_\_\_  
**APPROVED** BY: \_\_\_\_\_ DATE: \_\_\_\_\_

DRAWN BY: D. ROVANG      DATE DRAWN: 01-01-14  
 DWG NUMBER: STB007      SCALE: 1:32  
 REV:    REV BY:    DATE:    SHEET: 1 OF 1