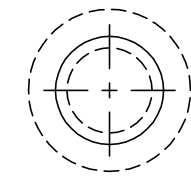
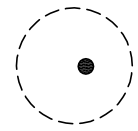
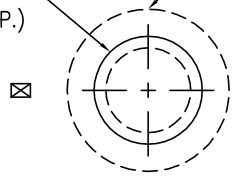


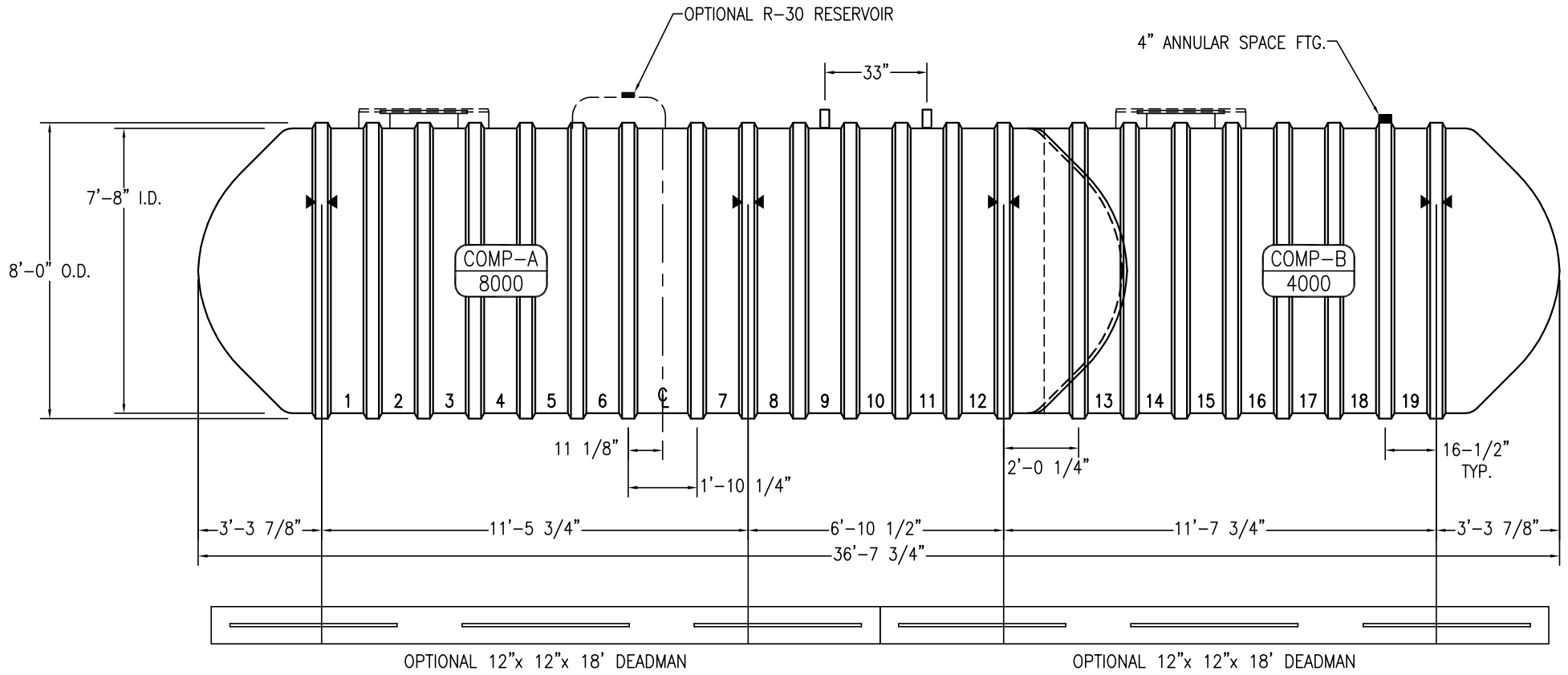
22" FLGD. MANWAY
w/ BLANK COVER
(2 TYP.)

OPTIONAL 42" CONTAINMENT COLLAR
(2 TYP.)



OPTIONAL R-30 RESERVOIR

4" ANNULAR SPACE FTG.



- NOTES:**
- ☒ HOLD DOWN STRAP CLIP
 - ▶◀ HOLD DOWN STRAP LOCATION
 - TYPE "13" LIFT LUG - SD
 - TYPE "13" LIFT LUG - HD

DWT-6 DWB-2 (8')-8M/4M		DATE:	1/1/2014
		DRAWN BY:	J.HARMON
	CAPACITY:	7,796/4,021	
	WEIGHT: DRY/WET	6,250/7,800	
		REVISED:	
		DWG NUMBER:	8-84DDB2