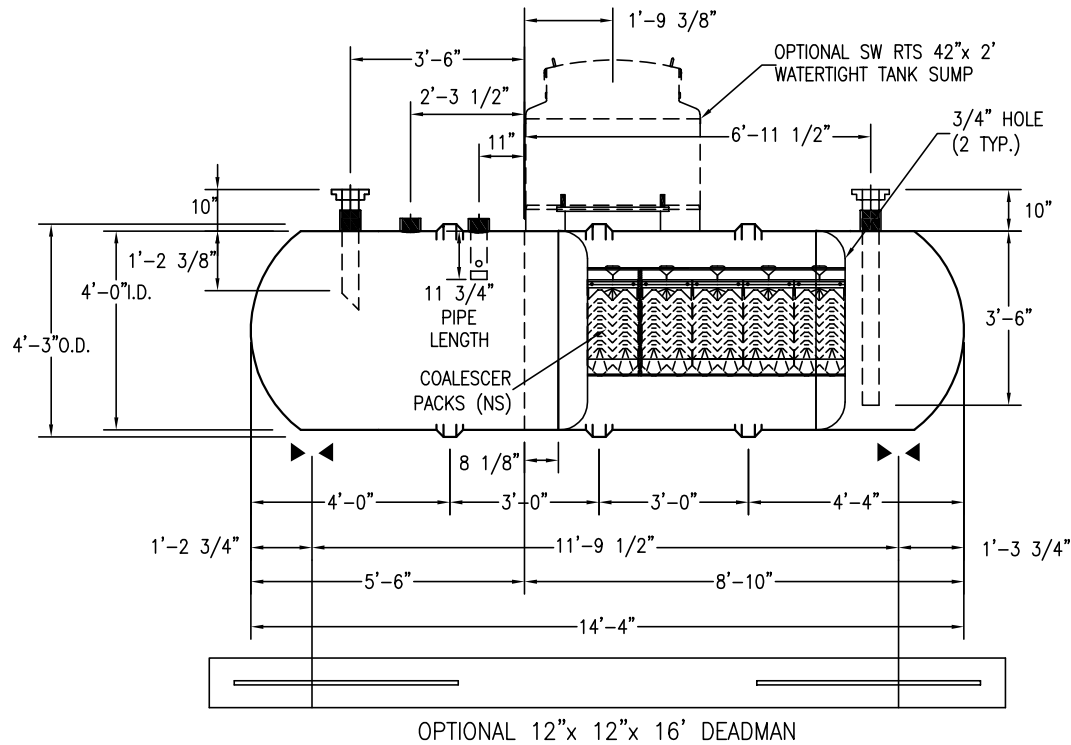
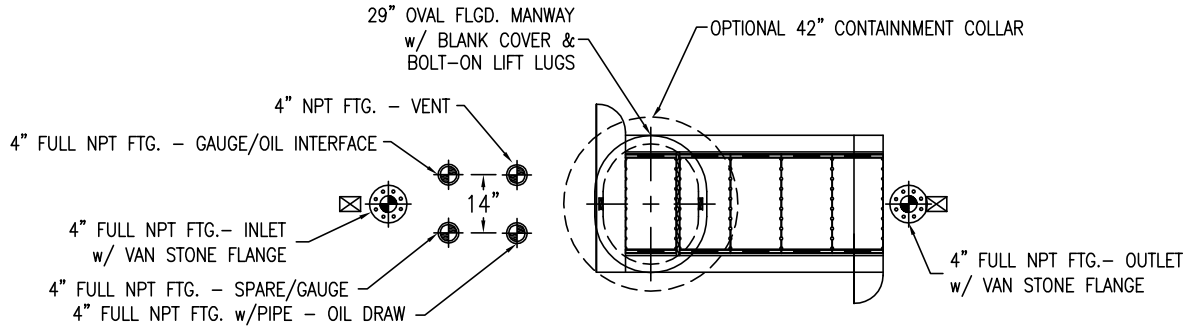


FLOW RATE - G.P.M.		
.85 s.g.	.90 s.g.	.95 s.g.
76	57	25



USE PARAMETERS:

PROPER PERFORMANCE OF THE OIL WATER SEPARATOR AND THE QUALITY OF THE EFFLUENT IS BASED UPON THE OPERATIONAL, FUNCTIONAL, & INSTALLATION REQUIREMENTS AS DETAILED IN THE FOLLOWING **CSI** PUBLICATIONS.

1. OIL/WATER SEPARATOR PRODUCT LITERATURE.
2. INSTALLATION INSTRUCTIONS: FRP UNDERGROUND STORAGE TANKS. (CSI 6001)
3. INSTALLATION AND START-UP INSTRUCTIONS FOR UNDERGROUND OWS TANKS. (OWS 2012)

PUB NO. 413C5SWULCSI-10 JANUARY 2009

DESIGN PARAMETERS:

THE SEPARATOR IS DESIGNED FOR:

1. MAXIMUM INFLUENT CAPACITY (IN) _____ PPM
2. MAXIMUM EFFLUENT CAPACITY (OUT) _____ PPM
3. MAXIMUM FLOW RATE _____ GPM
4. NUMBER OF INSTALLED COALESCER PACKS _____

CUSTOMER SIGNATURE ACKNOWLEDGES AND AGREES TO THE USE AND DESIGN PARAMETERS AS DETAILED IN THIS DRAWING AND IN THE REFERENCED PUBLICATIONS AND HEREBY APPROVES FABRICATION. ANY DEVIATION AS OUTLINED MUST BE APPROVED BY **CSI** IN WRITING PRIOR TO MANUFACTURING.

CUSTOMER APPROVAL SIGNATURE:

DATE:

COMPANY:

JOB NAME:

**CONTAINMENT
SOLUTIONS®**

**4'-1,300 Gallon SWT D5
ULCSI-10 Oil Water Separator**

SPILL CAPACITY:	ACTUAL CAPACITY:	NOMINAL WEIGHT:
1,026 GAL	1,283 GAL	1,555 GAL