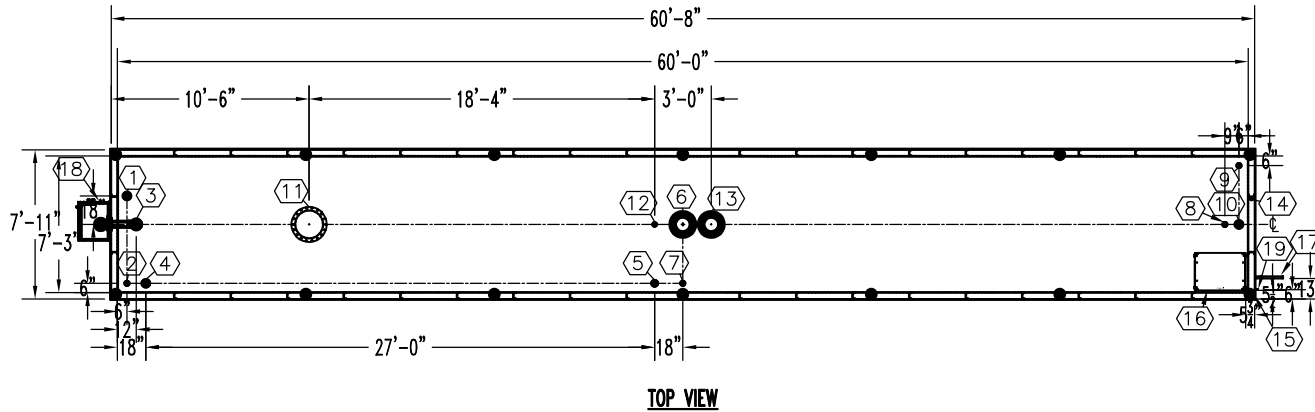


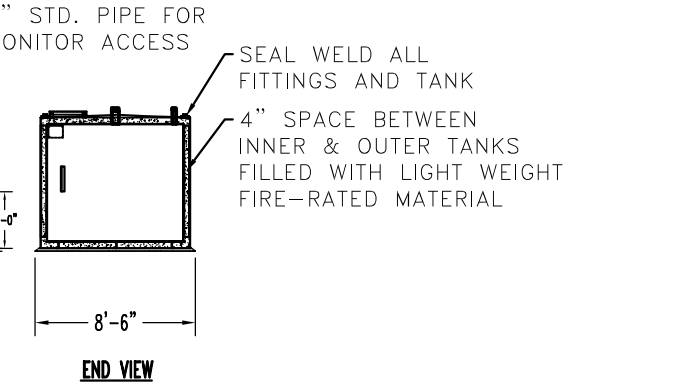
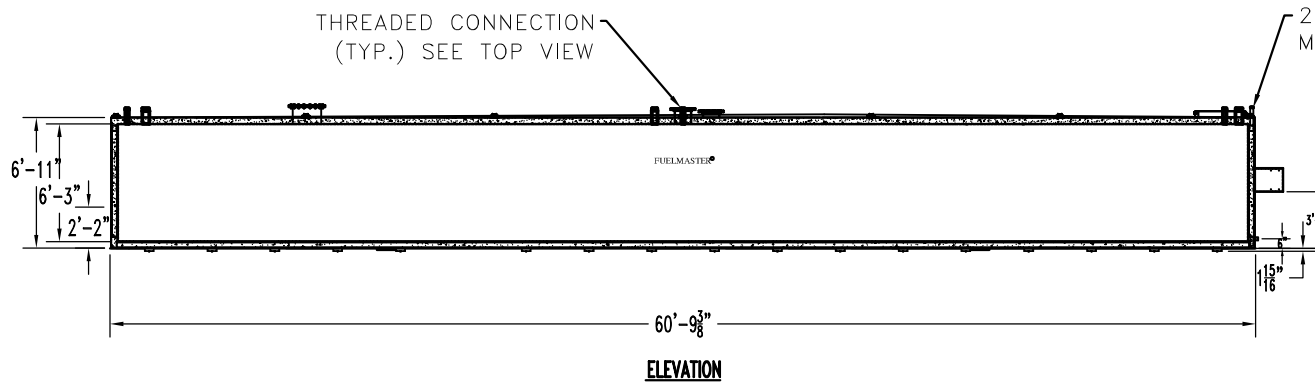
**NOTE:**  
 OVERALL SHIPPING DIMENSION: 64'-8" L X 8'-6" W X 9'-4" H

ITEM	SIZE	SUGGESTED FUNCTION
1	4"	PHASE 1 VAPOR RECOVERY/SPARE
2	2"	CLOCK LEVEL GAUGE
3	6"	FILL W/3" FILL LIMITER
4	4"	ELECTRONIC LEVEL GAUGE (OPTIONAL)
5	3"	PRIMARY WORKING VENT W/RISER PIPE
6	10"	PRIMARY TANK EMERGENCY VENT
7	2"	SPARE
8	2"	SUCTION PUMP
9	2"	HIGH LEVEL ALARM
10	4"	SPARE
11	18"	ABOVE LIQUID MANHOLE, DWG."MHB001"
12	2"	SECONDARY WORKING VENT
13	10"	SECONDARY CONTAINMENT EMERGENCY VENT
14	2"	SECONDARY MONITOR PIPE
15	4"	FIRE RATED MATERIAL FILL
16	N/A	9822 DISPENSER BRACKET, DWG."PBB015"
17	N/A	DISPENSER BRACKET, DWG."DSB001"
18	3" PIPE	MORRISON 3QBB REMOTE FILL BOX, DWG."SBB202"
19	2" X 2"	GROUND CLIP, DWG."MCB004"



**TANK SPECIFICATIONS**

VENTING CAPACITY: PRIMARY TANK - 493,000 CUBIC FEET PER HOUR  
 SECONDARY TANK - 524,000 CUBIC FEET PER HOUR  
 MATERIAL: PRIMARY TANK - 1/4" THICK  
 SECONDARY TANK - 3/16" THICK



PRODUCT CODE	GALLONS	DESCRIPTION	OVERALL SIZE	SHIP WT.
FMAA120MVS001	20,000	U/L-2085 ABOVE GROUND VAULT TANK W/FUEL SYSTEM	60'-8" L X 7'-11" W X 7'-1" H	77,700 LBS.

**CONTAINMENT SOLUTIONS®**

THIS DRAWING AND DESIGN SHOWN HEREIN IS THE PROPERTY OF CONTAINMENT SOLUTIONS. USE OR COPIES THEREOF CANNOT BE MADE WITHOUT WRITTEN CONSENT.

CUSTOMER NAME: \_\_\_\_\_  
**APPROVED** BY: \_\_\_\_\_ DATE: \_\_\_\_\_

DRAWN BY: D. ROVANG DATE DRAWN: 01-01-14  
 DWG NUMBER: 5103554S SCALE: 1:125  
 REV: B REV BY: RSO DATE: 01-01-19 SHEET: 1 OF 1