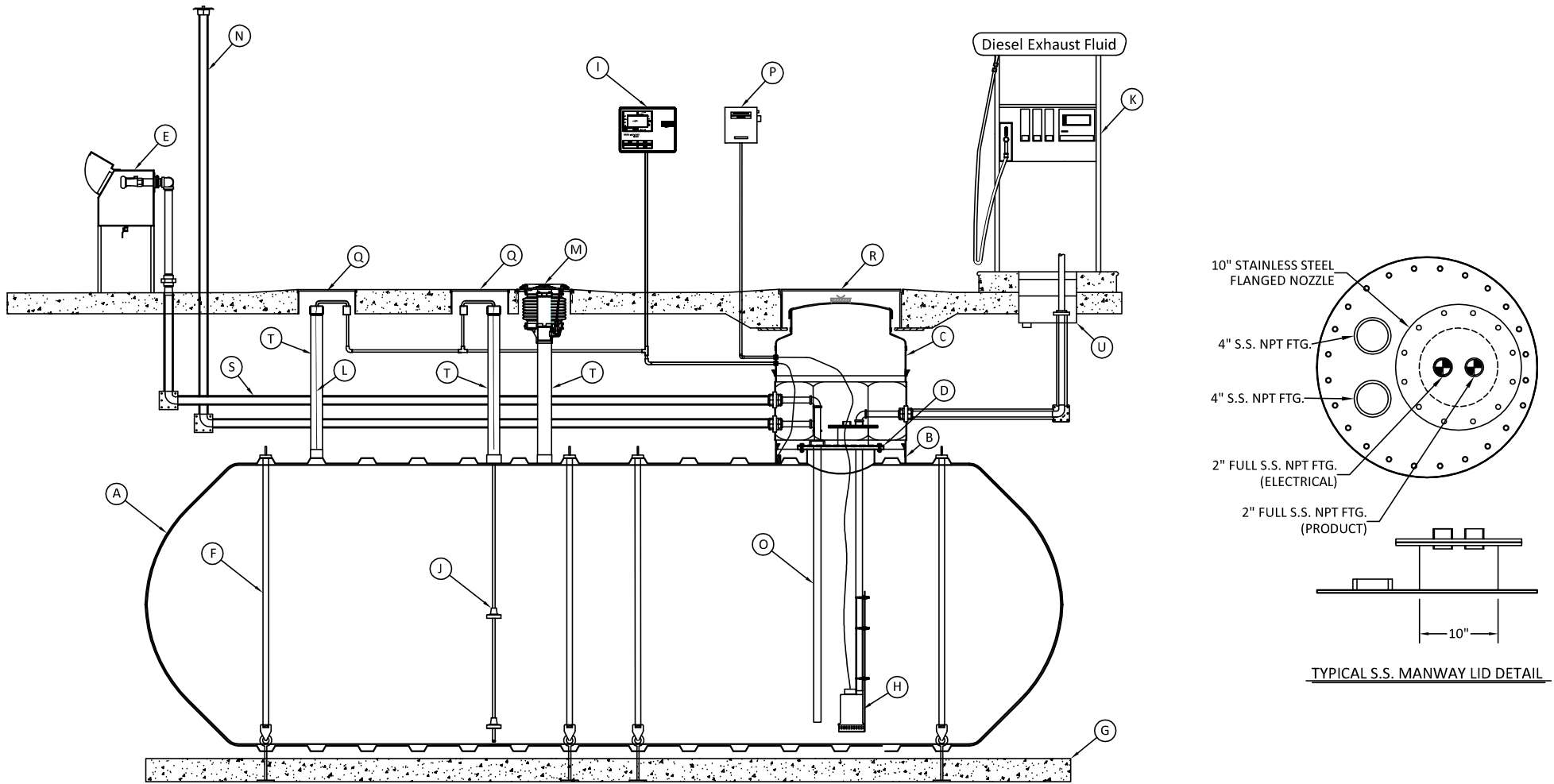


MARK	QTY	SIZE	EQUIPMENT LISTING	MARK	QTY	SIZE	EQUIPMENT LISTING	MARK	QTY	SIZE	EQUIPMENT LISTING
A	1	8'	DOUBLE WALL TANK	H	1*		STAINLESS STEEL SUBMERSIBLE PUMP	O	1*	2"	SCH.40 STAINLESS STEEL PIPE AS DROP TUBE
B	1	48"	SINGLE WALL CONTAINMENT COLLAR	I	1*		INVENTORY & LEAK DETECTION PANEL	P	1*		PUMP CONTROL PANEL
C	1	48"	SW PTS WATER TIGHT TURBINE SUMP	J	1*		TANK INVENTORY GAUGE	Q	1*	18"	MANHOLE
D	1	22"	STAINLESS STEEL MANWAY LID & FITTINGS	K	1*		DEF DISPENSER	R	1*	39"	WATERTIGHT MANHOLE
E	1*		STAINLESS STEEL REMOTE FILL BOX	L	1*		ANNULAR SPACE LEAK DETECTION	S	*	3"x2"	DOUBLE WALL FRP PIPE
F	4		HOLD DOWN STRAP ASSEMBLY	M	1*		SPILL CONTAINMENT MANHOLE	T	1*	4"	STAINLESS STEEL OR FIBERGLASS RISER
G	4	12'	12"x 12" CONCRETE DEADMAN ANCHORS	N	1*	2"	TANK VENT w/UPWARD "Y" CAP	U	2*		DISPNSR SUMP

NOTE: \* SUPPLIED BY OTHERS



TYPICAL UDEF ILLUSTRATION DRAWING  
(8') 8,000 DOUBLE-WALL TANK