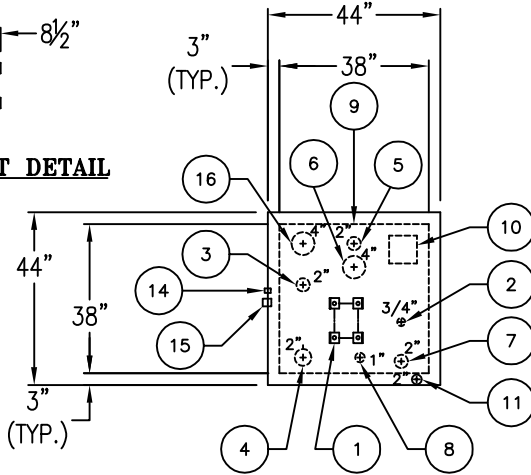


**PUMP MOUNT DETAIL**

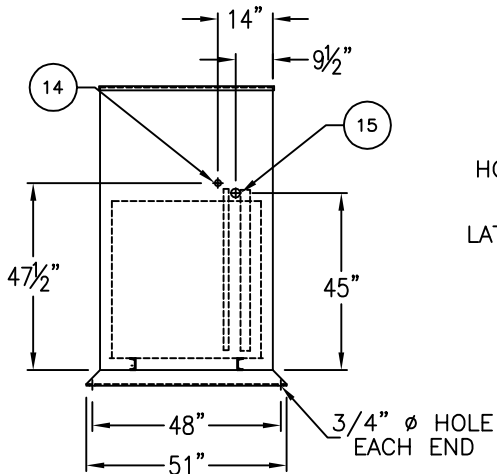
**TOP OPENINGS LAYOUT**

**NOTE:**  
**OVERALL SHIPPING DIMENSION: 4'-3" L X 3'-10" W X 6'-0" H**

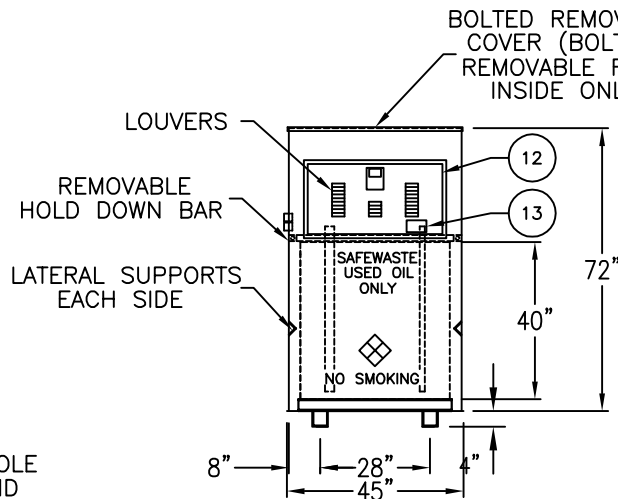


**TOP VIEW**

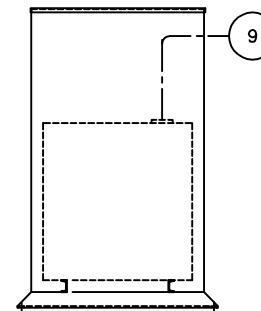
PART LIST(250 GALLON SAFE-WASTE)		
FIND#	DESCRIPTION	QTY.
1	PUMP MOUNT ANGLES	4
2	3/4" OPENING FOR PRODUCT DISCHARGE	1
3	2" AUTOMATIC AIR OPERATED HIGH LEVEL SHUT-OFF VALVE WITH WHISTLE FOR DIAPHRAGM PUMP	1
4	2" SUCTION TUBE WITH KAMLOCK AND DUSTCAP FOR PRODUCT WITHDRAWAL	1
5	2" PRIMARY WORKING VENT	1
6	4" PRIMARY EMERGENCY VENT	1
7	2" PRODUCT LEVEL GAUGE	1
8	1" OPENING FOR SAMPLING	1
9	3 1/8" HOLE FOR VENT PIPE	1
10	U/L LABEL	1
11	ANNULAR SPACE MONITORING	1
12	18" X 34" CABINET ACCESS DOOR	1
13	PLEXIGLASS VIEW PORT	1
14	1/2" FULL COUPLING FOR AIR SUPPLY HOSE	1
15	3/4" FULL COUPLING FOR PRODUCT SUCTION	1
16	4" SPARE WITH PVC PLUG	1



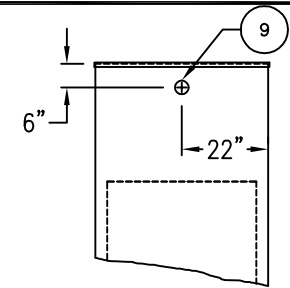
**LEFT END VIEW**



**ELEVATION**



**RIGHT END VIEW**



**BACK VIEW**

**NOTE:**  
 ALL INTERNAL PIPING TO BE DONE IN SHOP

\*SEE ORDER ENTRY FOR PAINT & EQUIPMENT

PRODUCT CODE	GALLONS	DESCRIPTION	OVERALL SIZE	SHIP WT.
SWAA1250DS000	250	UL-142 SAFEWASTE TANK	3'-8" L X 3'-8" W X 6'-4" H	1,500 LBS.

THIS DRAWING AND DESIGN SHOWN HEREIN IS THE PROPERTY OF CONTAINMENT SOLUTIONS. USE OR COPIES THEREOF CANNOT BE MADE WITHOUT WRITTEN CONSENT.

**CONTAINMENT SOLUTIONS**

CUSTOMER NAME: \_\_\_\_\_  
**APPROVED** BY: \_\_\_\_\_ DATE: \_\_\_\_\_

DRAWN BY: D. ROVANG DATE DRAWN: 01-01-14  
 DWG NUMBER: 100211 SCALE: 1:50  
 REV: \_\_\_\_\_ REV BY: \_\_\_\_\_ DATE: \_\_\_\_\_ SHEET: 1 OF 1