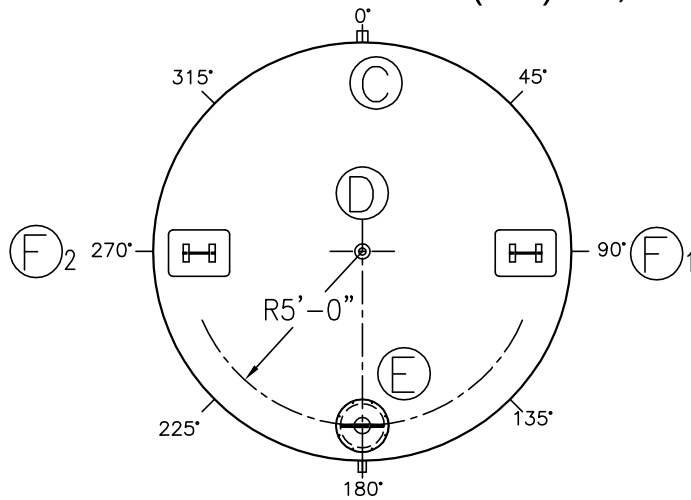
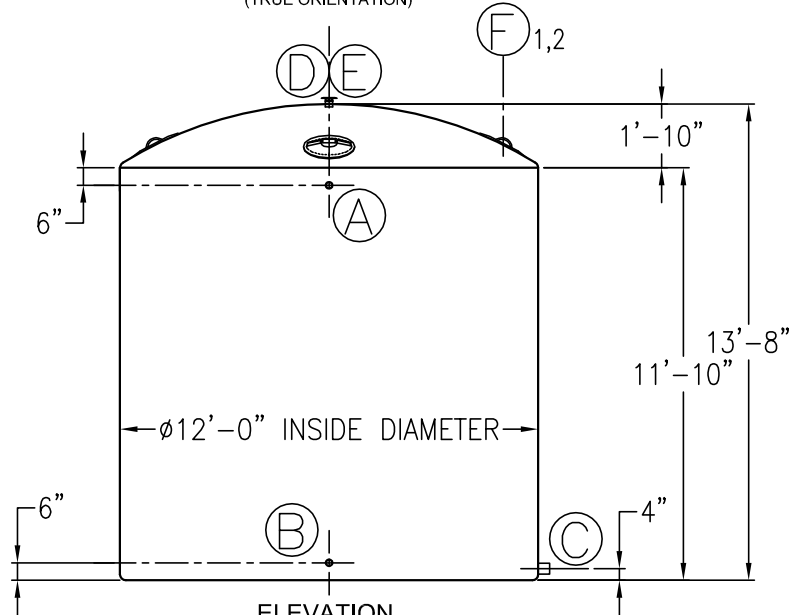


Fiberglass Aboveground Water Storage Tank Model RWH AGT (12') 10,000



(A) (B)
TOP VIEW
(TRUE ORIENTATION)



ELEVATION
(ITEMS SHOWN IN THIS VIEW MAY BE ROTATED FOR CLARITY)
(SEE TOP VIEW FOR TRUE ORIENTATION)

SCHEDULE OF FITTINGS AND ACCESSORIES

MARK	QTY.	SIZE	TYPE	DESCRIPTION	REMARKS
(A)	1	ø2"	FRP	FNP THREADED HALF COUPLING	FILL-LINE CONNECTION
(B)	1	ø2"	FRP	FNP THREADED HALF COUPLING	FILL-LINE CONNECTION
(C)	1	ø3"	FRP	FNP THREADED HALF COUPLING	DRAIN-LINE CONNECTION
(D)	1	ø2"	POLY	SCREW ON TOP POLY VENT	VENT
(E)	1	ø18"	POLY	SCREWED ON TOP MANWAY	INSPECTION
(F)	2	STD	STL	LIFTING LUG	ZINC-PLATED
(G)					
(H)					
(I)					

Available Finishes (Choose One)

- Desert Sand Premium Finish
- Forest Green Premium Finish



**CONTAINMENT
SOLUTIONS®**

PROJECT NAME/LOCATION:

12'-0"Ø x 13'-8" 10,000 GALLONS

DATE:

1/1/2014

APPROVAL SIGNATURE:

SIGNATURE DATE:

DRAWN BY:

R.MOEN

REV #:

REV DATE:

REV BY:

DWG NUMBER:

RW H AGT(144)-10000.DWG