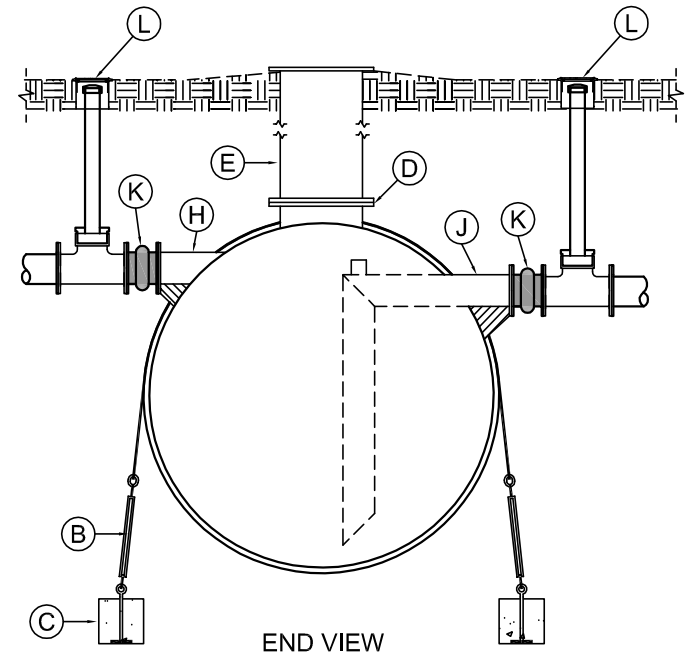
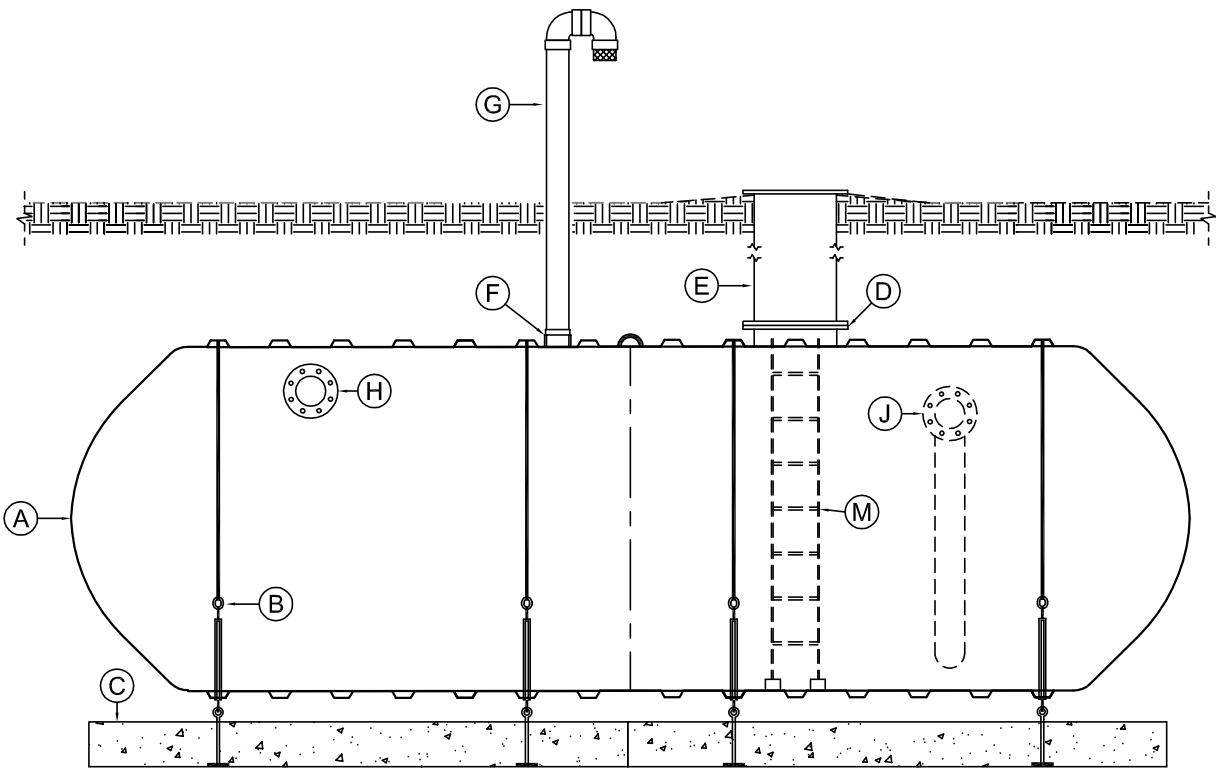


MARK	EQUIPMENT LISTING AND SUPPLIER	CSI	CUSTOMER	MARK	EQUIPMENT LISTING AND SUPPLIER	CSI	CUSTOMER
A	C.S.I. SINGLE WALL FIBERGLASS TANK	X		G	6" PVC ABOVEGRADE VENT w/ SCREEN	X	
B	C.S.I. FRP HOLD DOWN STRAP & TURNBUCKLE ASSEMBLY	X		H	FRP FLANGED NOZZLE (INLET)	X	
C	C.S.I. PRECAST CONCRETE DEADMEN ANCHORS w / EYEBOLTS	X		J	FRP FLANGED NOZZLE w/ INTERNAL PIPING (OUTLET)	X	
D	22" FRP FLANGED MANWAY	X		K	FLEXIBLE CONNECTION		X
E	22" FRP MANWAY EXTENSION w / BOLT-ON COVER	X		L	INSPECTION / CLEAN-OUT ACCESS PORT		X
F	6" NPT FITTING - VENT	X		M	TANK ACCESS LADDER	X	



TYPICAL ILLUSTRATION DRAWING

OIL SPILL CONTAINMENT TANK

THIS DRAWING IS FOR ILLUSTRATIVE PURPOSES ONLY. IT IS THE RESPONSIBILITY OF THE PURCHASER AND/OR ENGINEER TO DESIGN A SYSTEM IN COMPLIANCE WITH ALL GOVERNING MUNICIPAL CODES.