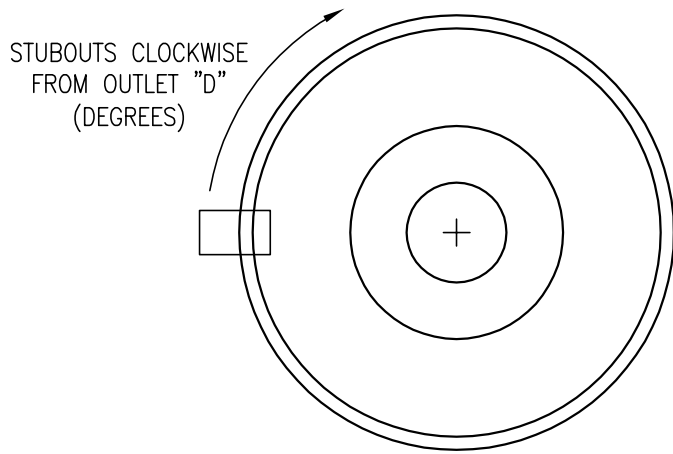
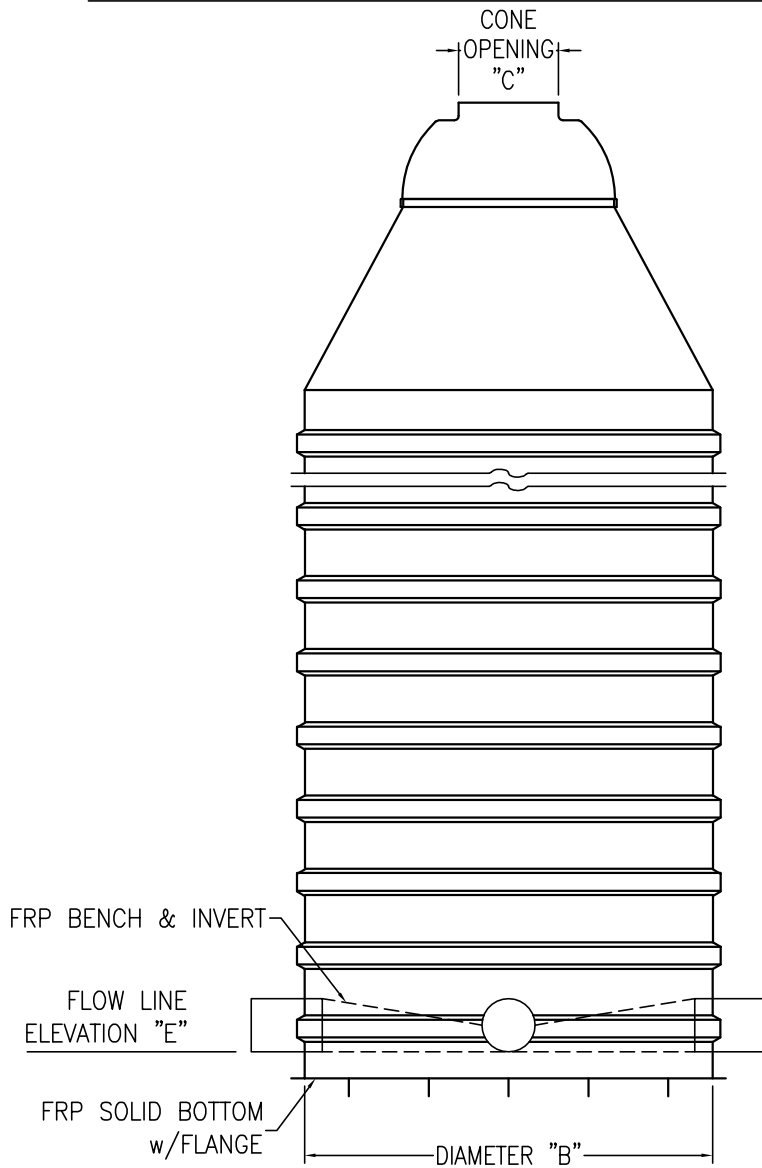


STANDARD FIBERGLASS MANHOLE
w/FIBERGLASS BOTTOM. BENCH & INVERT
(LARGER THAN 72" DIAMETER)



GRADE ELEVATION "A"



JOB NAME				
MH #	STA #	GRADE ELEVATION "A"	MH DIA "B"	CONE OPENING "C"
DEGREES CLOCKWISE FROM OUTLET "D"	FLOW LINE ELEVATION "E"	PIPE SIZE (DIA.)	PIPE TYPE	STUBOUT TYPE (BELL, SPIGOT, BOOT ETC.)



CONTAINMENT SOLUTIONS

MH-92 BENCH 1/1/2015