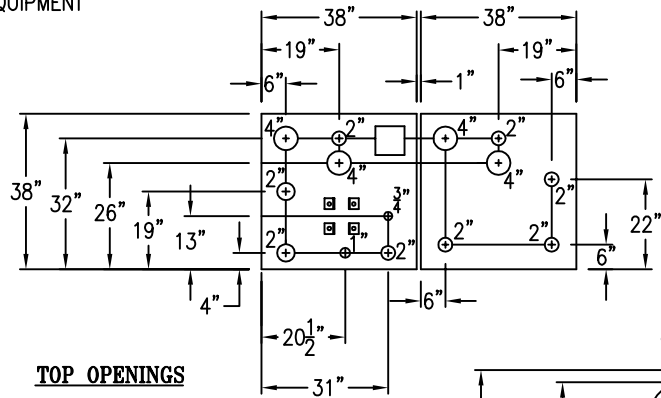
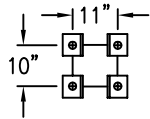


*SEE ORDER ENTRY FOR PAINT & EQUIPMENT

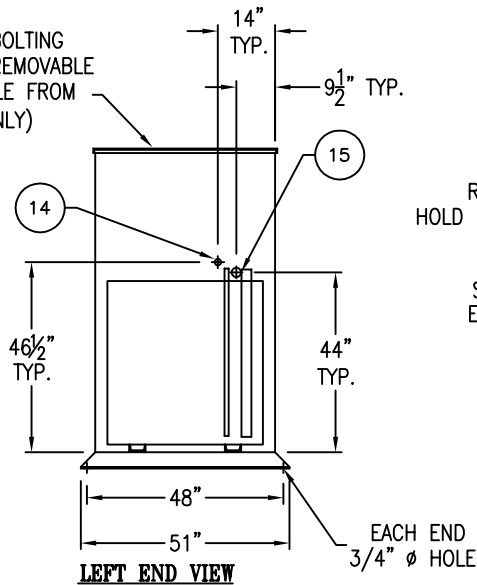


TOP OPENINGS LAYOUT

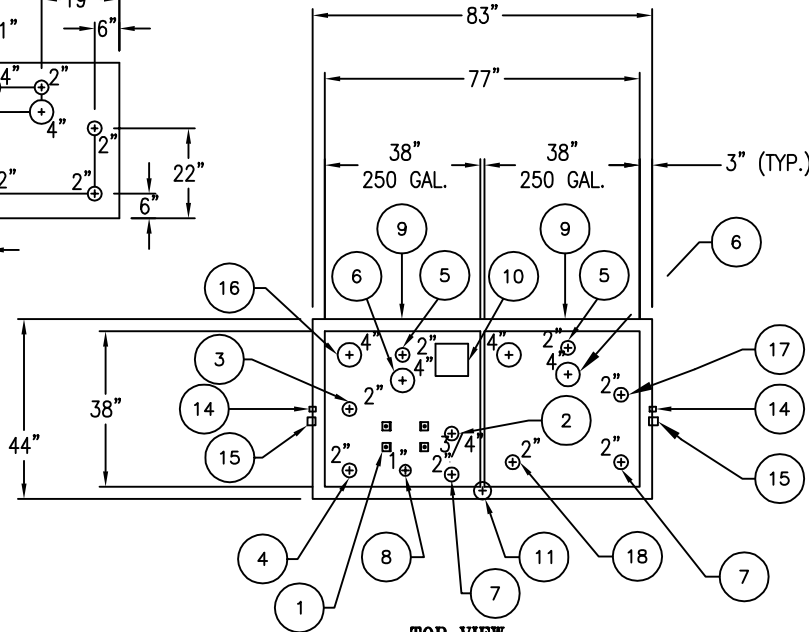


PUMP MOUNT DETAIL

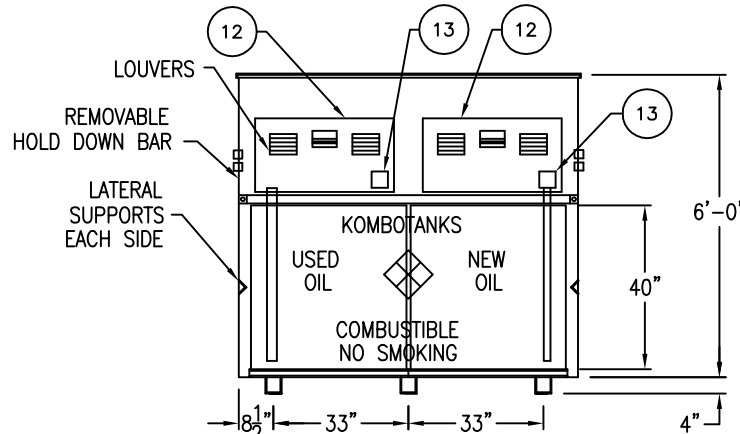
COVER (BOLTING BOLTED REMOVABLE REMOVABLE FROM INSIDE ONLY)



LEFT END VIEW

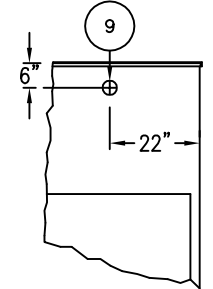
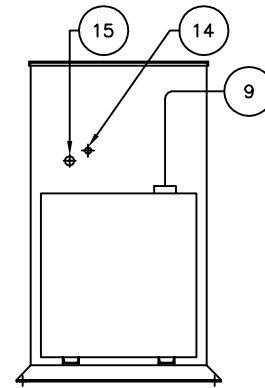


TOP VIEW



ELEVATION

PART LIST(500 GALLON KOMBOTANK)		
FIND#	DESCRIPTION	QTY.
1	PUMP MOUNT ANGLES	4
2	3/4" OPENING FOR PRODUCT DISCHARGE	1
3	2" AUTOMATIC AIR OPERATED HIGH LEVEL SHUT-OFF VALVE WITH WHISTLE FOR DIAPHRAGM PUMP	1
4	2" SUCTION TUBE WITH KAMLOCK AND DUSTCAP FOR PRODUCT REMOVAL	1
5	2" PRIMARY WORKING VENT	2
6	4" PRIMARY EMERGENCY VENT	2
7	2" PRODUCT LEVEL GAUGE	2
8	1" OPENING FOR SAMPLING	1
9	3 1/8" HOLE FOR VENT PIPE	2
10	U/L LABEL	1
11	ANNULAR SPACE MONITORING	1
12	18" X 34" CABINET ACCESS DOOR	2
13	PLEXIGLASS VIEW PORT	2
14	1/2" FULL COUPLING FOR AIR SUPPLY LINE	2
15	3/4" FULL COUPLING FOR PRODUCT SUCTION	2
16	4" SPARE WITH PVC PLUG	2
17	PISTON AIR PUMP WITH STINGER	1
18	PRODUCT FILL STINGER CAP	1



BACK VIEW

NOTE:
ALL INTERNAL PIPING TO BE DONE IN SHOP

PRODUCT CODE	GALLONS	DESCRIPTION	OVERALL SIZE	SHIP WT.
KBAA2500DS000	500	UL-142 KOMBO TANK, 2-250 GALLON COMPARTMENTS	6'11"L X 3'8"W X 6'4"H	1,735 LBS

THIS DRAWING AND DESIGN SHOWN HEREIN IS THE PROPERTY OF CONTAINMENT SOLUTIONS. USE OR COPIES THEREOF CANNOT BE MADE WITHOUT WRITTEN CONSENT.

CUSTOMER NAME: _____
APPROVED BY: _____ DATE: _____

CONTAINMENT SOLUTIONS

DRAWN BY: D. ROVANG DATE DRAWN: 01-01-14
 DWG NUMBER: 100217 SCALE: SALES
 REV: REV BY: DATE: SHEET: 1 OF 1