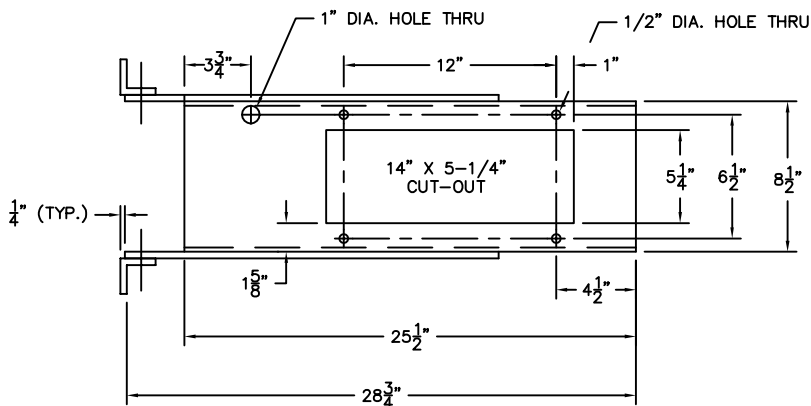


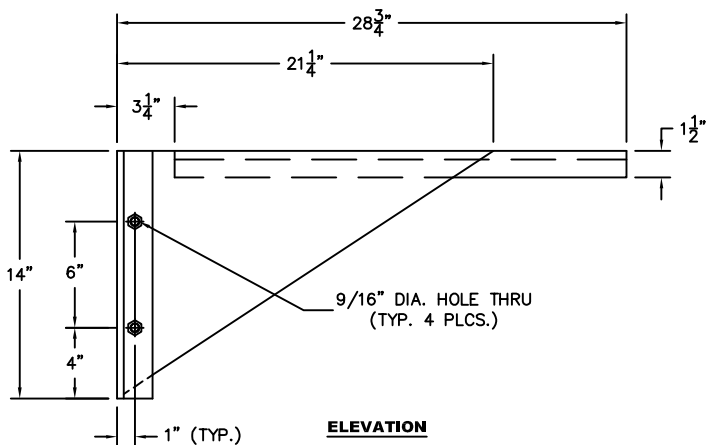
SIDE MOUNT PUMP BRACKET

NOTES:

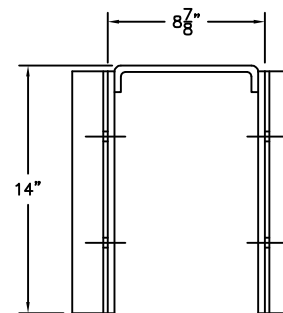
1. PUMP BRACKET ASSEMBLY SHALL BE CARBON STEEL.
2. ALL FASTENERS SHALL BE STAINLESS STEEL.
3. PUMP BRACKET SHALL BE LEVEL WITH HORIZONTAL PLANE.
4. EXTERIOR COATING SHALL BE SAME AS TANK, UNLESS NOTED.



TOP VIEW



ELEVATION



END VIEW

PRODUCT CODE	GALLONS	DESCRIPTION	OVERALL SIZE	SHIP WT.
PBB006		SIDE MOUNT PUMP BRACKET (FR-307/712)	29"LG. X 9"W	

THIS DRAWING AND DESIGN SHOWN HEREIN IS THE PROPERTY OF CONTAINMENT SOLUTIONS. USE OR COPIES THEREOF CANNOT BE MADE WITHOUT WRITTEN CONSENT.

CUSTOMER NAME _____

APPROVED BY: _____ DATE: _____

CONTAINMENT SOLUTIONS

DRAWN BY: D. ROVANG DATE DRAWN: 01-01-14

DWG NUMBER: PBB006 SCALE:

REV: REV BY: DATE: SHEET: 1 OF 1