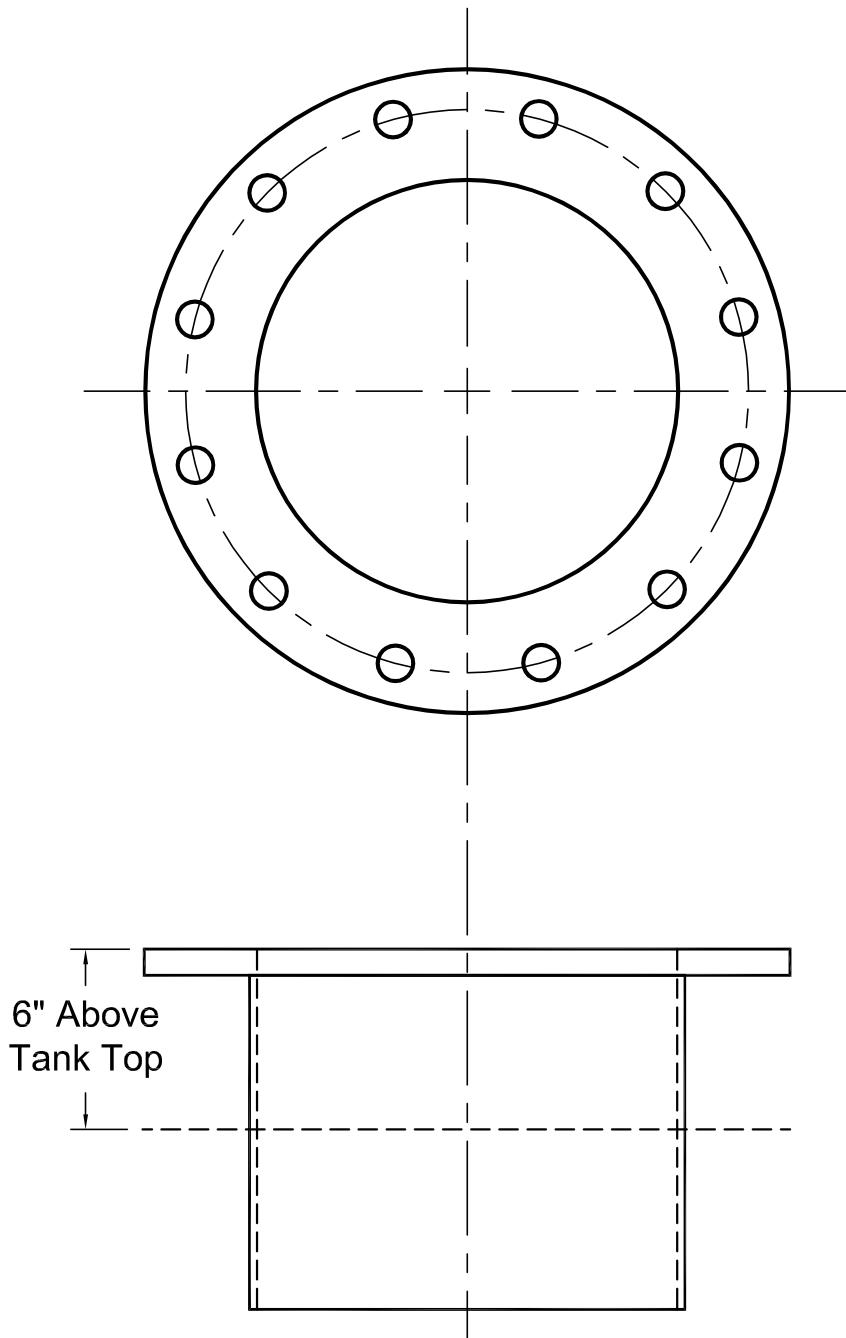


14" Flanged Nozzle



Flange Material - Fiberglass
Nozzle Material - Fiberglass
Flange Thickness - 13/16"
Flange O.D. - 21 1/2"
Bolt Hole Diameter - 1 1/8"
Bolt Circle Diameter - 18 3/4"
Number of Bolt Holes - 12
Pipe Stub Thickness - 7/32"
Pipe Stub Length - 12" typ.
Flanges are Flat Face

*Gasket and Blind Flange not Included
*1" Nuts, Bolts and Washers Required

Notes:

Flange dimensions per ASME B16.5 for 150 lb flanges.
Flange and pipe wall thicknesses per ASTM D3299.
Tank Mounted Gussets not required.



CONTAINMENT
SOLUTIONS®

FLGNOZ-14.DWG 9/2017