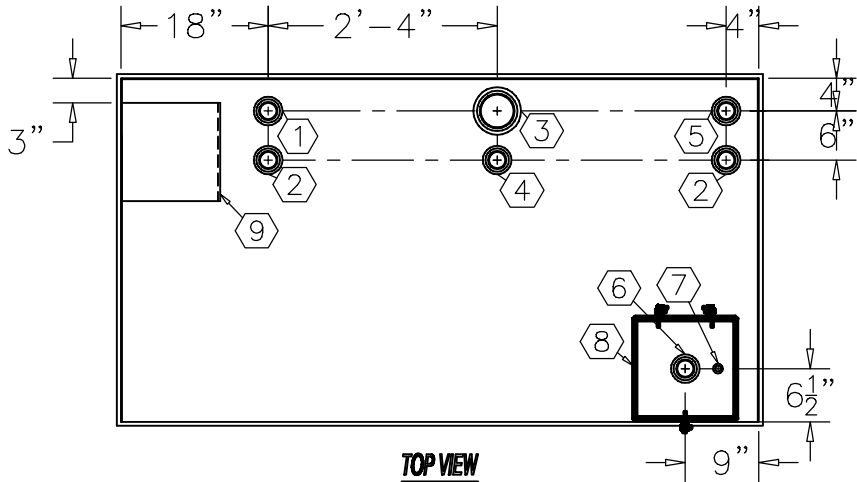
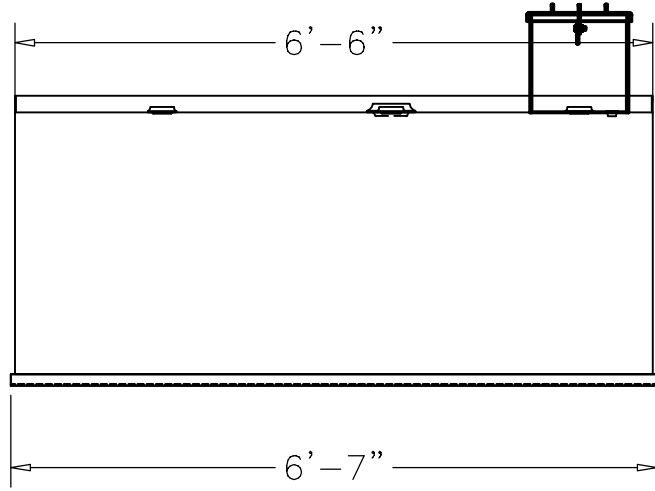


**NOTE:**  
**OVERALL SHIPPING DIMENSION: 6'-7" L X 3'-7" W X 3'-11" H**

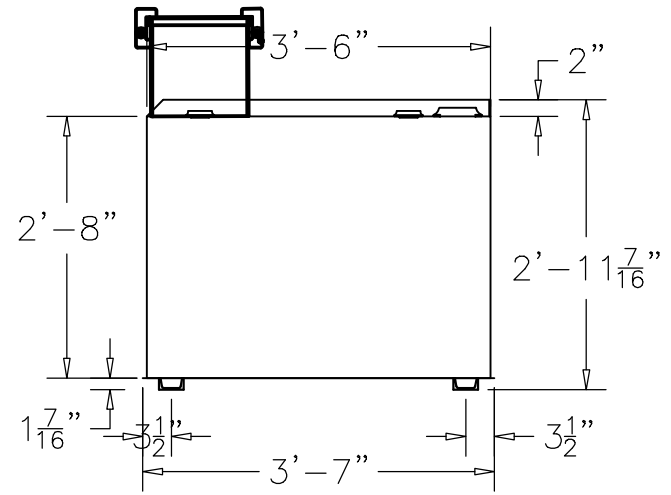
ITEM	SIZE	SUGGESTED FUNCTION
1	2"	PUMP SUPPLY
2	2"	SPARE
3	4"	PRIMARY TANK EMERGENCY VENT
4	2"	MECHANICAL GAUGE/ SPARE
5	2"	PRIMARY TANK WORKING VENT
6	2"	FILL
7	1/2"	DRAIN FOR SPILLBOX
8	7 GAL.	SPILLBOX, DWG."SBB002"
9	12" X 12"	PUMP BRACKET, DWG."PBB002"



**TOP VIEW**



**ELEVATION**



**END VIEW**

**TANK SPECIFICATIONS**

VENTING CAPACITY: PRIMARY TANK - 84,200 CUBIC FEET PER HOUR  
 MATERIAL: PRIMARY TANK - 10 GA.

PRODUCT CODE	GALLONS	DESCRIPTION	OVERALL SIZE	SHIP WT.
BTAA1450SS001	450	UL-142 SINGLE WALL BENCHTOP TANK W/SPILLBOX	6'-7" L X 3'-7" W X 3'-0" H	755 LBS.

THIS DRAWING AND DESIGN SHOWN HEREIN IS THE PROPERTY OF CONTAINMENT SOLUTIONS. USE OR COPIES THEREOF CANNOT BE MADE WITHOUT WRITTEN CONSENT.

CUSTOMER NAME: \_\_\_\_\_

**APPROVED** BY: \_\_\_\_\_ DATE: \_\_\_\_\_

**CONTAINMENT SOLUTIONS**

DRAWN BY: D. ROVANG      DATE DRAWN: 01-01-14  
 DWG NUMBER: 5100238      SCALE: 1:24  
 REV:      REV BY:      DATE:      SHEET: 1 OF 1