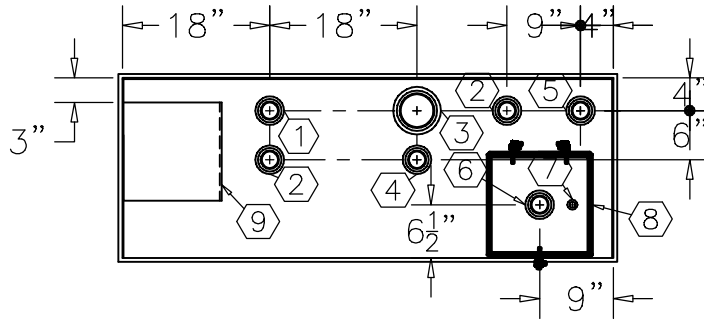


**NOTE:**  
 OVERALL SHIPPING DIMENSION: 5'-1" L X 1'-11" W X 3'-11" H

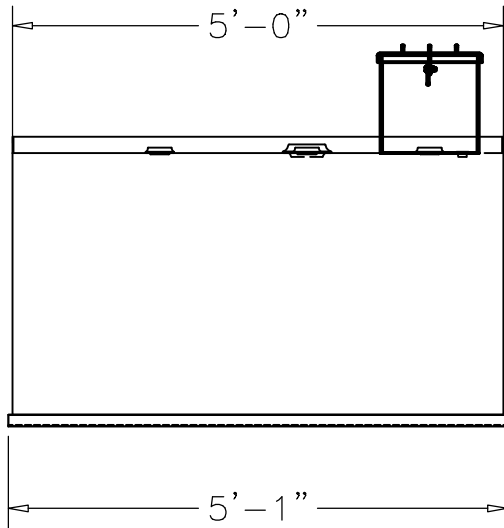
ITEM	SIZE	SUGGESTED FUNCTION
1	2"	PUMP SUPPLY
2	2"	SPARE
3	4"	PRIMARY TANK EMERGENCY VENT
4	2"	MECHANICAL GAUGE/ SPARE
5	2"	PRIMARY TANK WORKING VENT
6	2"	FILL
7	1/2"	DRAIN FOR SPILLBOX
8	7 GAL.	SPILLBOX, DWG."SBB002"
9	12" X 12"	PUMP BRACKET, DWG."PBB002"



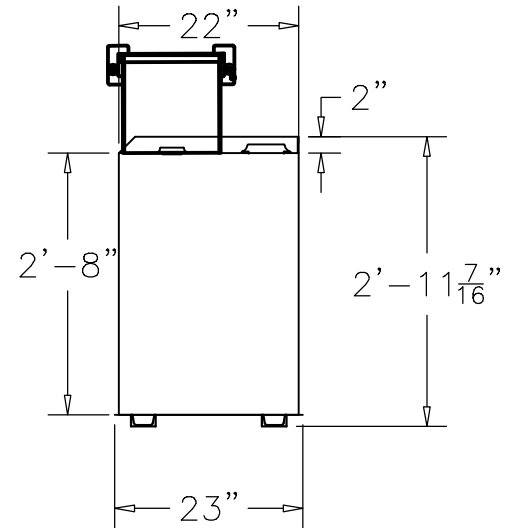
**TANK SPECIFICATIONS**

VENTING CAPACITY: PRIMARY TANK - 52,700 CUBIC FEET PER HOUR  
 MATERIAL: PRIMARY TANK - 10 GA.

**TOP VIEW**



**ELEVATION**



**END VIEW**

PRODUCT CODE	GALLONS	DESCRIPTION	OVERALL SIZE	SHIP WT.
BTAA1180SS001	180	UL-142 SINGLE WALL BENCHTOP TANK W/SPILLBOX	5'-1" L X 1'-11" W X 3'-0" H	465 LBS.

**CONTAINMENT SOLUTIONS®**

THIS DRAWING AND DESIGN SHOWN HEREIN IS THE PROPERTY OF CONTAINMENT SOLUTIONS. USE OR COPIES THEREOF CANNOT BE MADE WITHOUT WRITTEN CONSENT.

CUSTOMER NAME: \_\_\_\_\_

**APPROVED** BY: \_\_\_\_\_ DATE: \_\_\_\_\_

DRAWN BY: D. ROVANG	DATE DRAWN: 01-01-14
DWG NUMBER: 5100235	SCALE: 1:24
REV: _____	REV BY: _____
DATE: _____	SHEET: 1 OF 1