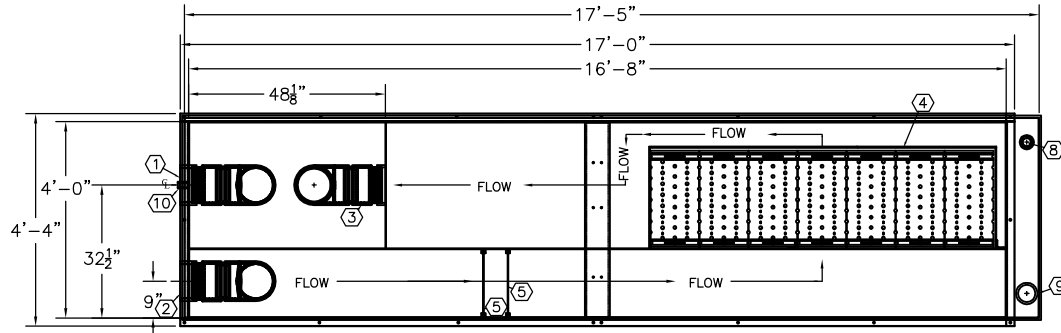
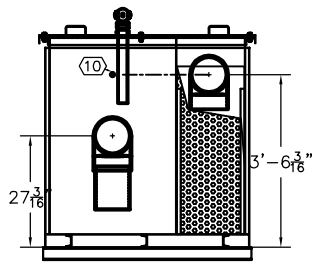


NOTE:
 OVERALL SHIPPING DIMENSION: 17'-7" L X 4'-5" W X 5'-2" H

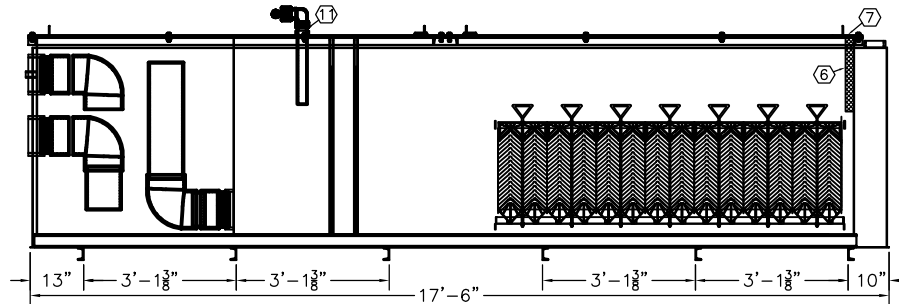
ITEM	SIZE	SUGGESTED FUNCTION
1	8"	EFFLUENT
2	8"	INFLUENT
3	8"	TRANSFER PIPE
4		COALESCER
5		DEBRIS PLATES
6	2" X 18"	OIL EQUALIZING ORIFICE
7		COVER, DWG."CVB006"
8	2"	SECONDARY WORKING VENT
9	4"	SECONDARY CONTAINMENT EMERGENCY VENT
10	1"	FLOAT SENSOR NPT FTG.
11	2"	OIL DRAW W/PIPE



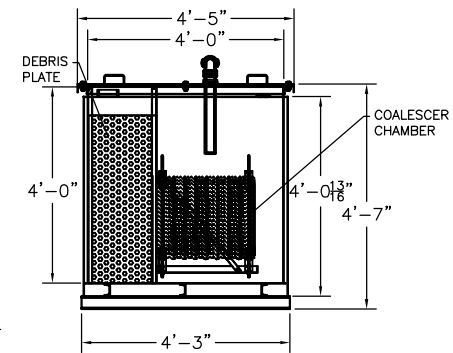
TOP VIEW
 TOP COVER REMOVED FOR CLARITY
 REFER TO DWG. "CVB006" FOR COVER DETAIL



LEFT END VIEW



ELEVATION
 FRONT FACE & BHD REMOVED FOR CLARITY



RIGHT END VIEW

TANK SPECIFICATIONS

MATERIAL: PRIMARY TANK - 3/16" THK.

PRODUCT CODE	GALLONS	DESCRIPTION	OVERALL SIZE	SHIP WT.
WSAA102MDS000	2,000	DOUBLE WALL OIL WATER SEPARATOR (200 GPM)	17'-6" L X 4'-3" W X 4'-7" H	7,025 LBS.

THIS DRAWING AND DESIGN SHOWN HEREIN IS THE PROPERTY OF CONTAINMENT SOLUTIONS. USE OR COPIES THEREOF CANNOT BE MADE WITHOUT WRITTEN CONSENT.

CUSTOMER NAME: _____
APPROVED BY: _____ DATE: _____

CONTAINMENT SOLUTIONS

DRAWN BY: _____ DATE DRAWN: 01-01-14
 DWG NUMBER: 5100272 SCALE: 1:48
 REV: _____ REV BY: _____ DATE: _____ SHEET: 1 OF 1