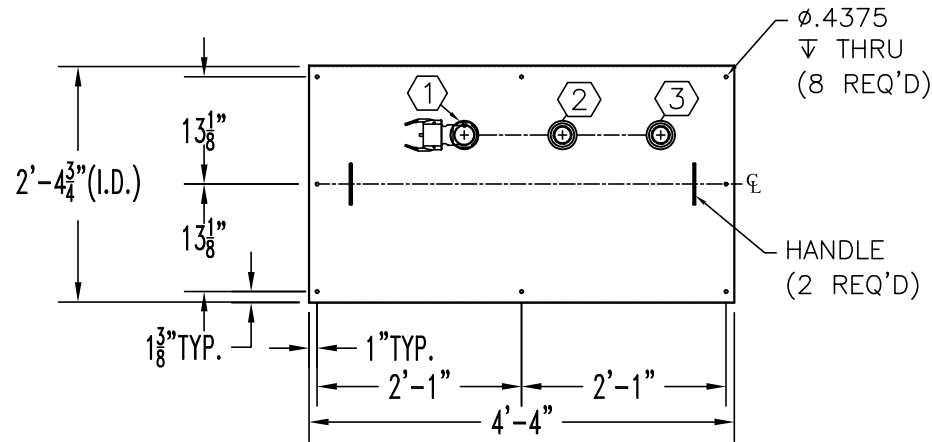


ITEM	SIZE	SUGGESTED FUNCTION
1	2"	OIL PUMP OUT
2	2"	SENSOR/SPARE
3	2"	WORKING VENT

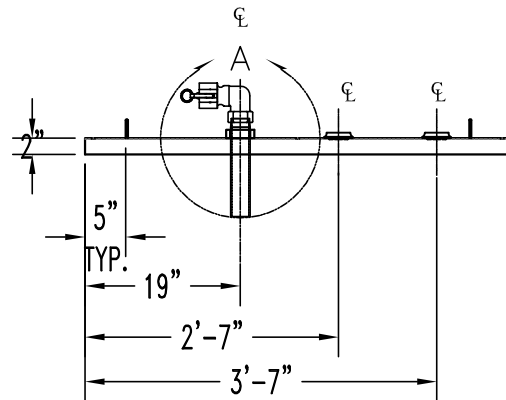
SPECIFICATIONS

MATERIAL: COVER - 10 GA.

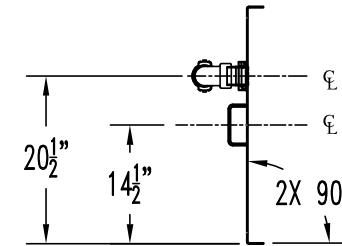


TOP VIEW

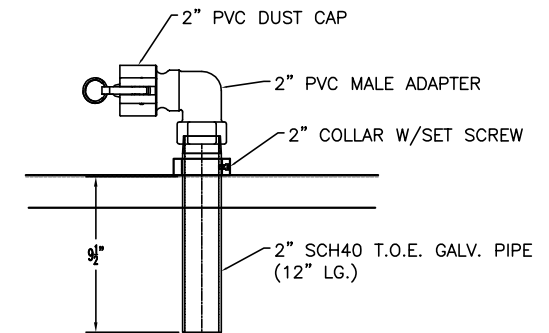
*TACK WELD ALL FITTINGS FAR SIDE



ELEVATION



SIDE VIEW



**DETAIL A
SCALE 1:6**

PRODUCT CODE	GALLONS	DESCRIPTION	OVERALL SIZE	SHIP WT.
CVB001	100	COVER FOR SINGLE WALL OIL WATER SEPARATOR (10 GPM)	4'-4" L X 2'-5" W X 2" H	

THIS DRAWING AND DESIGN SHOWN HEREIN IS THE PROPERTY OF CONTAINMENT SOLUTIONS. USE OR COPIES THEREOF CANNOT BE MADE WITHOUT WRITTEN CONSENT.

CUSTOMER NAME

APPROVED BY:

DATE:

CONTAINMENT SOLUTIONS®	
DRAWN BY: D. ROVANG	DATE DRAWN: 01-01-14
DWG NUMBER: CVB001	SCALE: 1:32
REV:	REV BY: DATE: SHEET: 1 OF 1