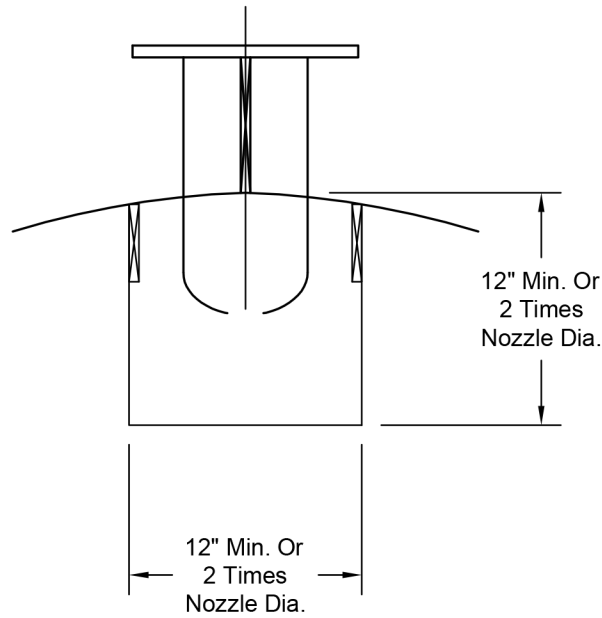
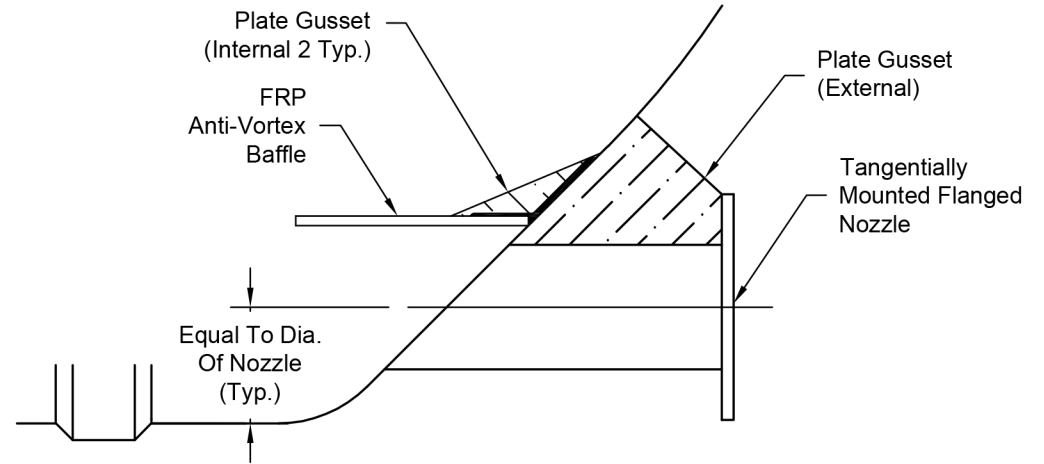


Anti-Vortex Baffle Assembly

Tangentially Mounted Nozzles



Top View



Side View

"Complies With Hydraulic Institute Standards"