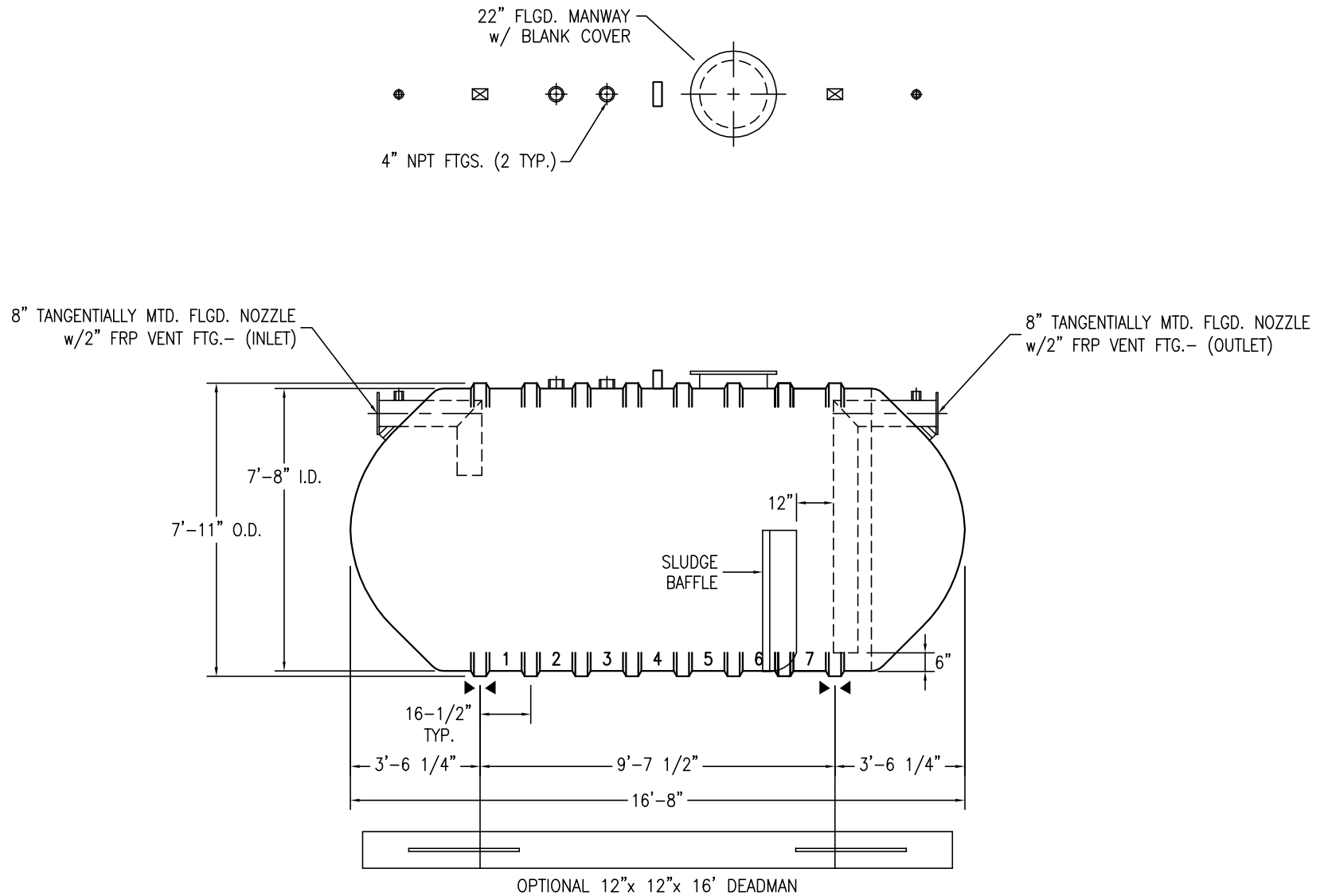


SHELL CODES: 1-E8S08SD, 1-E8SECSD



NOTES:

- ☒ HOLD DOWN STRAP CLIP
- ▶◀ HOLD DOWN STRAP LOCATION
- TYPE "13" LIFT LUG - SD
- TYPE "13" LIFT LUG - HD

SWT (8')-5000 CSI-1B INT		DATE: 1/1/2014
		DRAWN BY: K.A.SOEDER
CONTAINMENT SOLUTIONS	CAPACITY: 4,947	REVISED:
	WEIGHT: DRY/WET 2000	DWG NUMBER: 85-1BSW