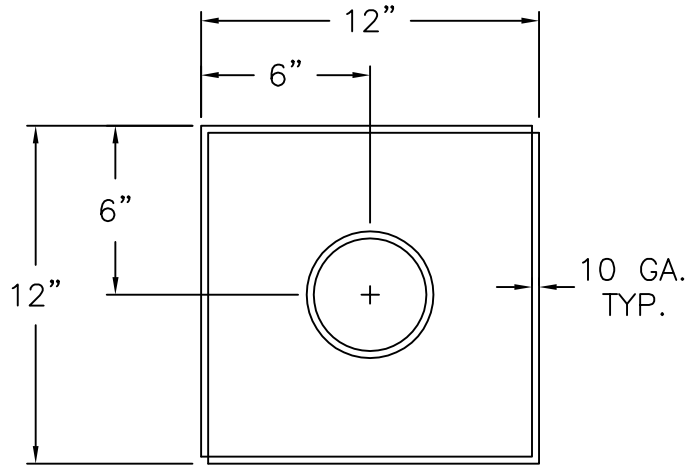
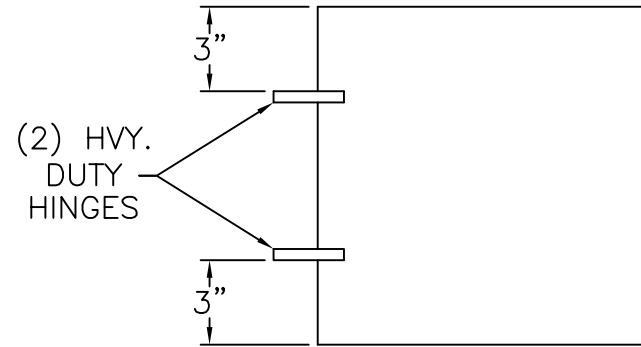


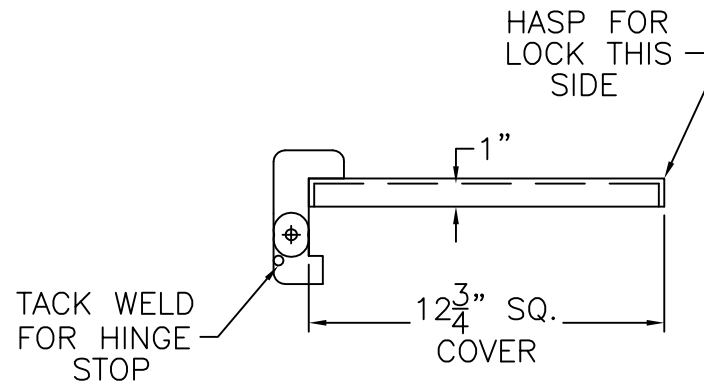
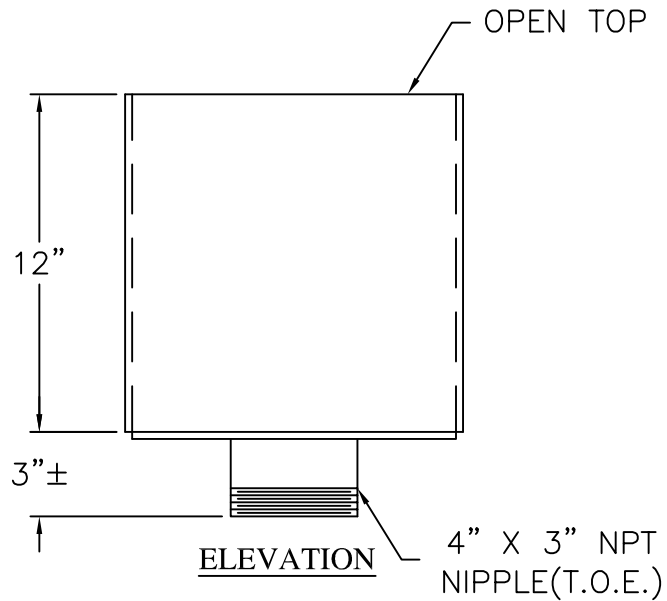
MATERIAL:
10 GA. CARBON STEEL



TOP VIEW



TOP VIEW(COVER)



ELEVATION(COVER)

PRODUCT CODE	GALLONS	DESCRIPTION	OVERALL SIZE	SHIP WT.
SBB009	7	THREAD-ON STEEL SPILLBOX	12"SQ. X 12"DEEP	

THIS DRAWING AND DESIGN SHOWN HEREIN IS THE PROPERTY OF CONTAINMENT SOLUTIONS. USE OR COPIES THEREOF CANNOT BE MADE WITHOUT WRITTEN CONSENT.

CUSTOMER NAME: _____
APPROVED BY: _____ DATE: _____

CONTAINMENT SOLUTIONS®

DRAWN BY: R.P.H. DATE DRAWN: 01-01-14
 DWG NUMBER: SBB009 SCALE: SALES
 REV: REV BY: DATE: SHEET: 1 OF 1