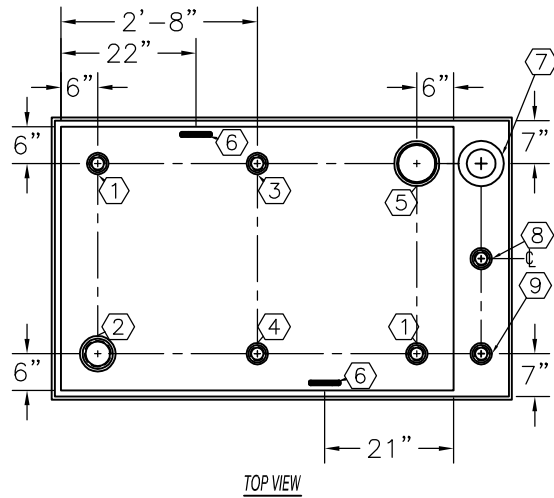


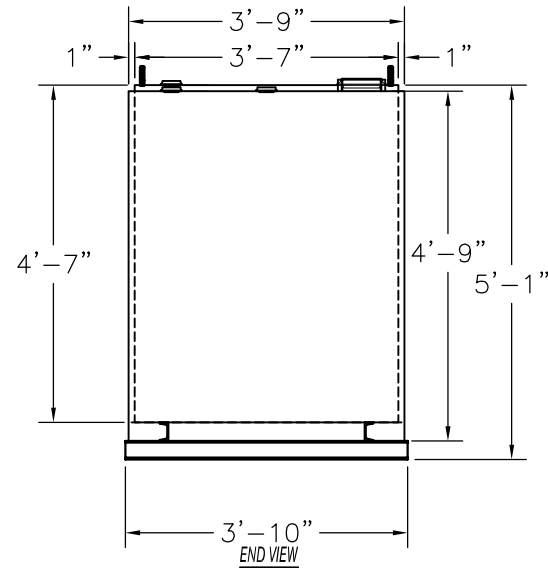
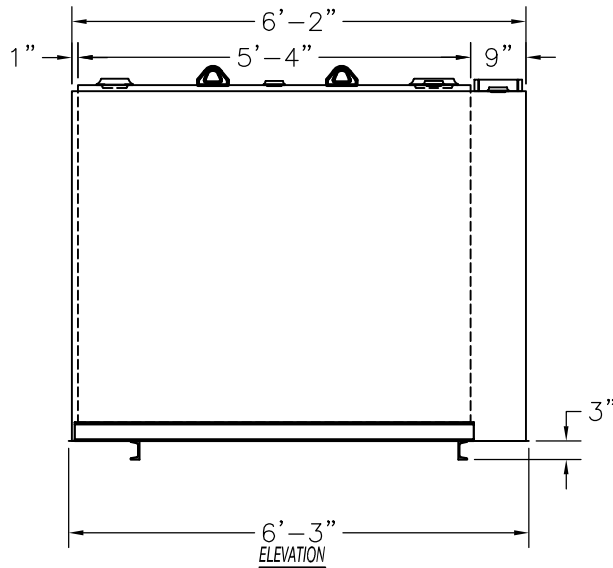
**NOTE:**  
**OVERALL SHIPPING DIMENSION: 6'-3" L X 3'-10" W X 5'-4" H**

ITEM	SIZE	SUGGESTED FUNCTION
1	2"	SPARE
2	4"	FILL
3	2"	PRIMARY TANK WORKING VENT
4	2"	MECHANICAL GAUGE/SPARE
5	6"	PRIMARY TANK EMERGENCY VENT
6	SMALL	LIFTING LUG
7	6"	SECONDARY CONTAINMENT EMERGENCY VENT
8	2"	SECONDARY MONITOR PORT
9	2"	SECONDARY WORKING VENT



**TANK SPECIFICATIONS**

VENTING CAPACITY: PRIMARY TANK - 126,000 CUBIC FEET PER HOUR  
 SECONDARY TANK - 126,000 CUBIC FEET PER HOUR  
 MATERIAL: PRIMARY TANK - 10 GA.  
 SECONDARY TANK - 10 GA.



PRODUCT CODE	GALLONS	DESCRIPTION	OVERALL SIZE	SHIP WT.
LCAA1650DS000	650	UL-142 DOUBLE WALL LUBE CUBE TANK	6'-3" L X 3'-10" W X 5'-1" H	1,525 LBS.



THIS DRAWING AND DESIGN SHOWN HEREIN IS THE PROPERTY OF CONTAINMENT SOLUTIONS. USE OR COPIES THEREOF CANNOT BE MADE WITHOUT WRITTEN CONSENT.

CUSTOMER NAME: \_\_\_\_\_  
**APPROVED** BY: \_\_\_\_\_ DATE: \_\_\_\_\_

DRAWN BY: D. ROVANG	DATE DRAWN: 01-01-14
DWG NUMBER: 5100099	SCALE: 1:32
REV: _____	REV BY: _____
DATE: _____	SHEET: 1 OF 1