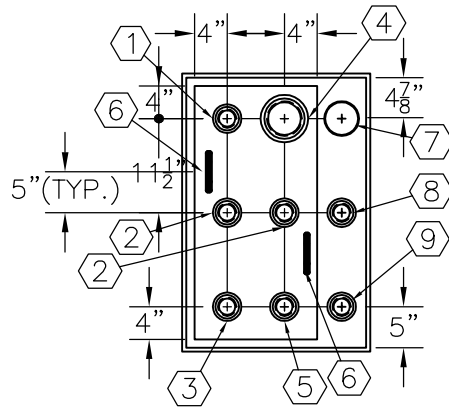
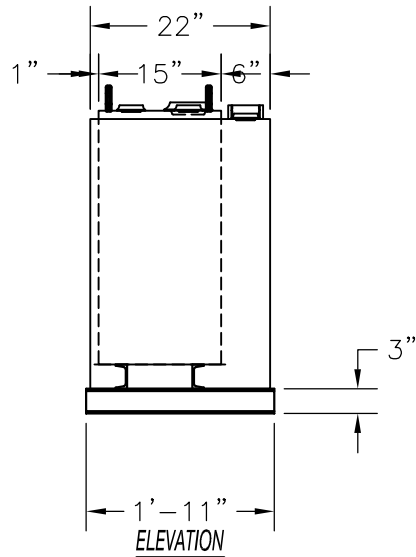


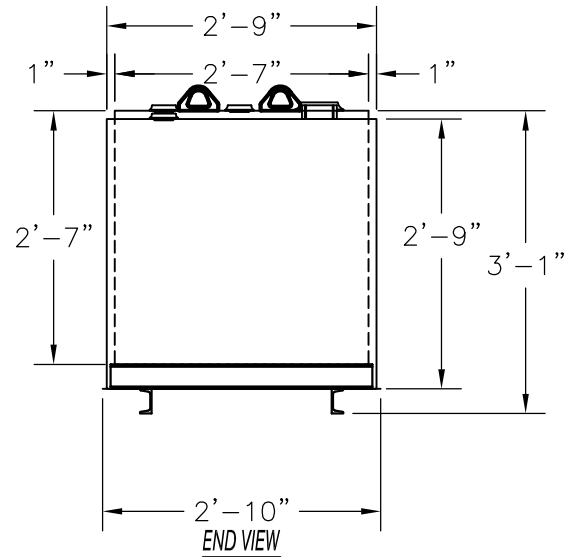
NOTE:
OVERALL SHIPPING DIMENSION: 1'-11" L X 2'-10" W X 3'-4" H



TOP VIEW



ELEVATION



END VIEW

ITEM	SIZE	SUGGESTED FUNCTION
1	2"	PRIMARY TANK WORKING VENT
2	2"	SPARE
3	2"	FILL
4	4"	PRIMARY TANK EMERGENCY VENT
5	2"	MECHANICAL GAUGE/SPARE
6	SMALL	LIFTING LUG
7	4"	SECONDARY CONTAINMENT EMERGENCY VENT
8	2"	SECONDARY MONITOR PORT
9	2"	SECONDARY WORKING VENT

TANK SPECIFICATIONS

VENTING CAPACITY: PRIMARY TANK - 31,600 CUBIC FEET PER HOUR
 SECONDARY TANK - 31,600 CUBIC FEET PER HOUR
 MATERIAL: PRIMARY TANK - 10 GA.
 SECONDARY TANK - 10 GA.

PRODUCT CODE	GALLONS	DESCRIPTION	OVERALL SIZE	SHIP WT.
LCAA1060DS000	60	UL-142 DOUBLE WALL LUBE CUBE TANK	1'-11" L X 2'-10" W X 3'-1" H	385 LBS.
THIS DRAWING AND DESIGN SHOWN HEREIN IS THE PROPERTY OF CONTAINMENT SOLUTIONS. USE OR COPIES THEREOF CANNOT BE MADE WITHOUT WRITTEN CONSENT.				
CUSTOMER NAME	APPROVED BY: _____		DATE: _____	

CONTAINMENT SOLUTIONS®

DRAWN BY: D. ROVANG	DATE DRAWN: 01-01-14
DWG NUMBER: 5100094	SCALE: 1:24
REV: _____	REV BY: _____
DATE: _____	SHEET: 1 OF 1