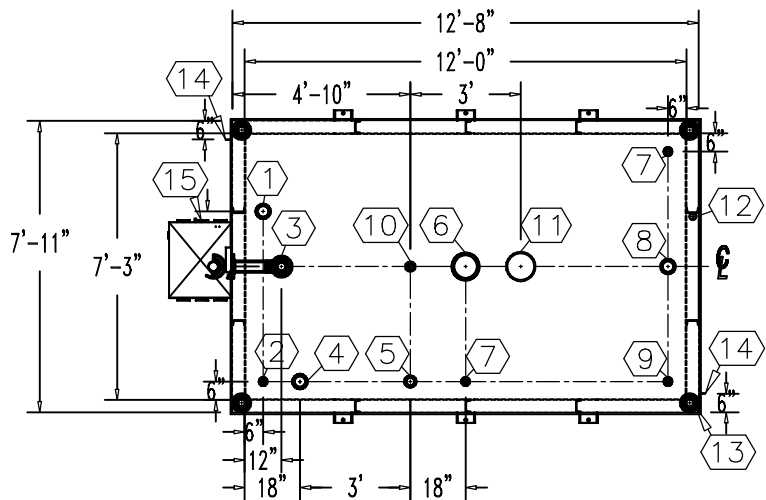


NOTE:
OVERALL SHIPPING DIMENSION: 14'-8" L X 8'-6" W X 8'-5" H

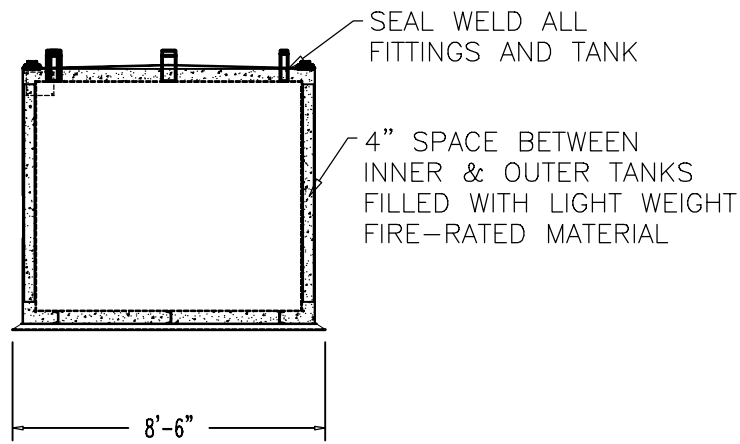
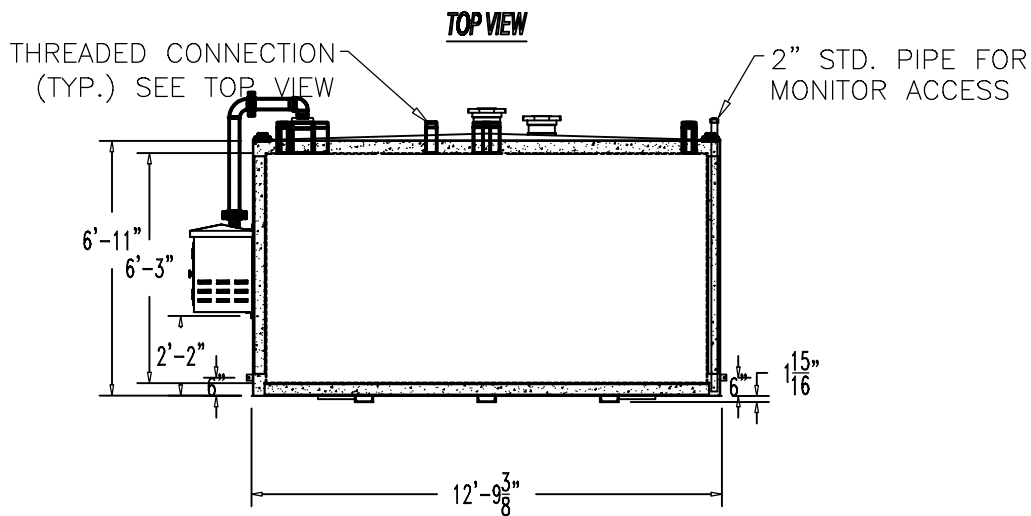


ITEM	SIZE	SUGGESTED FUNCTION
1	4"	PHASE 1 VAPOR RECOVERY/SPARE
2	2"	MECHANICAL GAUGE
3	6"	FILL
4	4"	ELECTRONIC LEVEL GAUGE
5	3"	PRIMARY WORKING VENT
6	8"	PRIMARY TANK EMERGENCY VENT
7	2"	SPARE
8	4"	SUBMERSIBLE PUMP
9	2"	SUCTION PUMP/SPARE
10	2"	SECONDARY WORKING VENT
11	8"	SECONDARY CONTAINMENT EMERGENCY VENT
12	2"	SECONDARY MONITOR PIPE
13	4"	FIRE RATED MATERIAL FILL
14	2" X 2"	GROUND CLIP, DWG."MCB004"
15	3" PIPE	REMOTE FILL BOX, DWG."SBB006"

TANK SPECIFICATIONS

VENTING CAPACITY: PRIMARY TANK - 288,000 CUBIC FEET PER HOUR
 SECONDARY TANK - 312,000 CUBIC FEET PER HOUR

MATERIAL: PRIMARY TANK - 1/4" THICK
 SECONDARY TANK - 3/16" THICK



ELEVATION

END VIEW

PRODUCT CODE	GALLONS	DESCRIPTION	OVERALL SIZE	SHIP WT.
V4AA104MVS537	4,000	U/L-2085 ABOVE GROUND VAULT TANK	12'-8" L X 7'-11" W X 7'-1" H	19,400 LBS.

THIS DRAWING AND DESIGN SHOWN HEREIN IS THE PROPERTY OF CONTAINMENT SOLUTIONS. USE OR COPIES THEREOF CANNOT BE MADE WITHOUT WRITTEN CONSENT.

CUSTOMER NAME: _____

APPROVED BY: _____ DATE: _____

CONTAINMENT SOLUTIONS

DRAWN BY: D. ROVANG DATE DRAWN: 12-21-05
 DWG NUMBER: 5102096 SCALE: 1:64
 REV:C REV BY:DAR DATE: 01-01-14 SHEET:1 OF 1