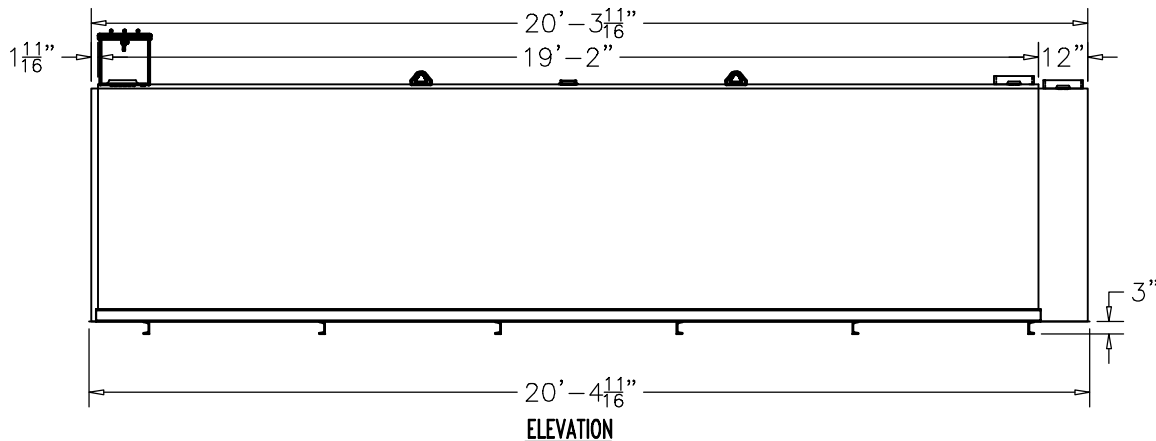
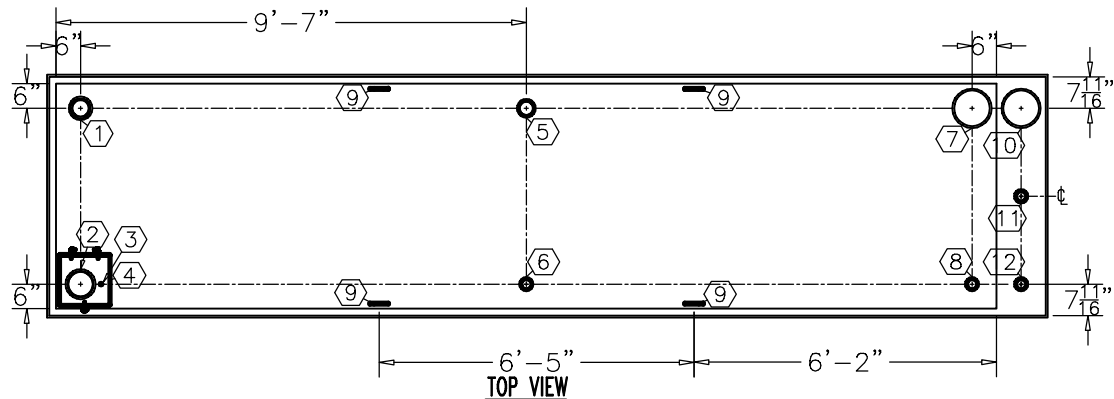


NOTE:
 OVERALL SHIPPING DIMENSION: 20'-5" L X 5'-0" W X 6'-2" H

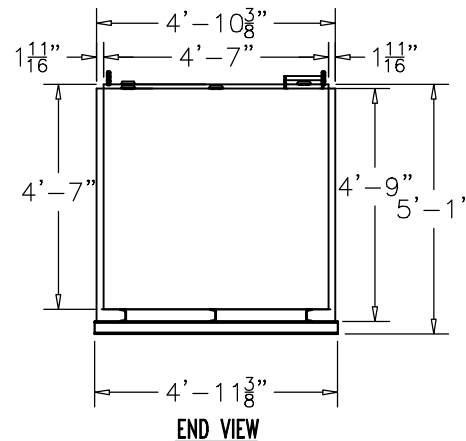


ITEM	SIZE	SUGGESTED FUNCTION
1	4"	SPARE
2	6"	FILL
3	1/2"	DRAIN FOR SPILLBOX
4	7 GAL.	SPILLBOX, DWG."SBB002"
5	3"	PRIMARY TANK WORKING VENT
6	2"	MECHANICAL GAUGE/ SPARE
7	8"	PRIMARY TANK EMERGENCY VENT
8	2"	SPARE
9	SMALL	LIFTING LUG
10	8"	SECONDARY CONTAINMENT EMERGENCY VENT
11	2"	SECONDARY MONITOR PORT
12	2"	SECONDARY WORKING VENT

TANK SPECIFICATIONS

VENTING CAPACITY: PRIMARY TANK - 288,000 CUBIC FEET PER HOUR
 SECONDARY TANK - 288,000 CUBIC FEET PER HOUR

MATERIAL: PRIMARY TANK - 3/16"
 SECONDARY TANK - 3/16"



PRODUCT CODE	GALLONS	DESCRIPTION	OVERALL SIZE	SHIP WT.
LCAA103MDS001	3,000	UL-142 DOUBLE WALL LUBE CUBE TANK W/SPILLBOX	20'-5" L X 5'-0" W X 5'-1" H	6,650 LBS.

THIS DRAWING AND DESIGN SHOWN HEREIN IS THE PROPERTY OF CONTAINMENT SOLUTIONS. USE OR COPIES THEREOF CANNOT BE MADE WITHOUT WRITTEN CONSENT.

CUSTOMER NAME: _____
APPROVED BY: _____ DATE: _____



DRAWN BY: D. ROVANG	DATE DRAWN: 01-01-14
DWG NUMBER: 5100123	SCALE: 1:48
REV: _____	REV BY: _____ DATE: _____ SHEET: 1 OF 1