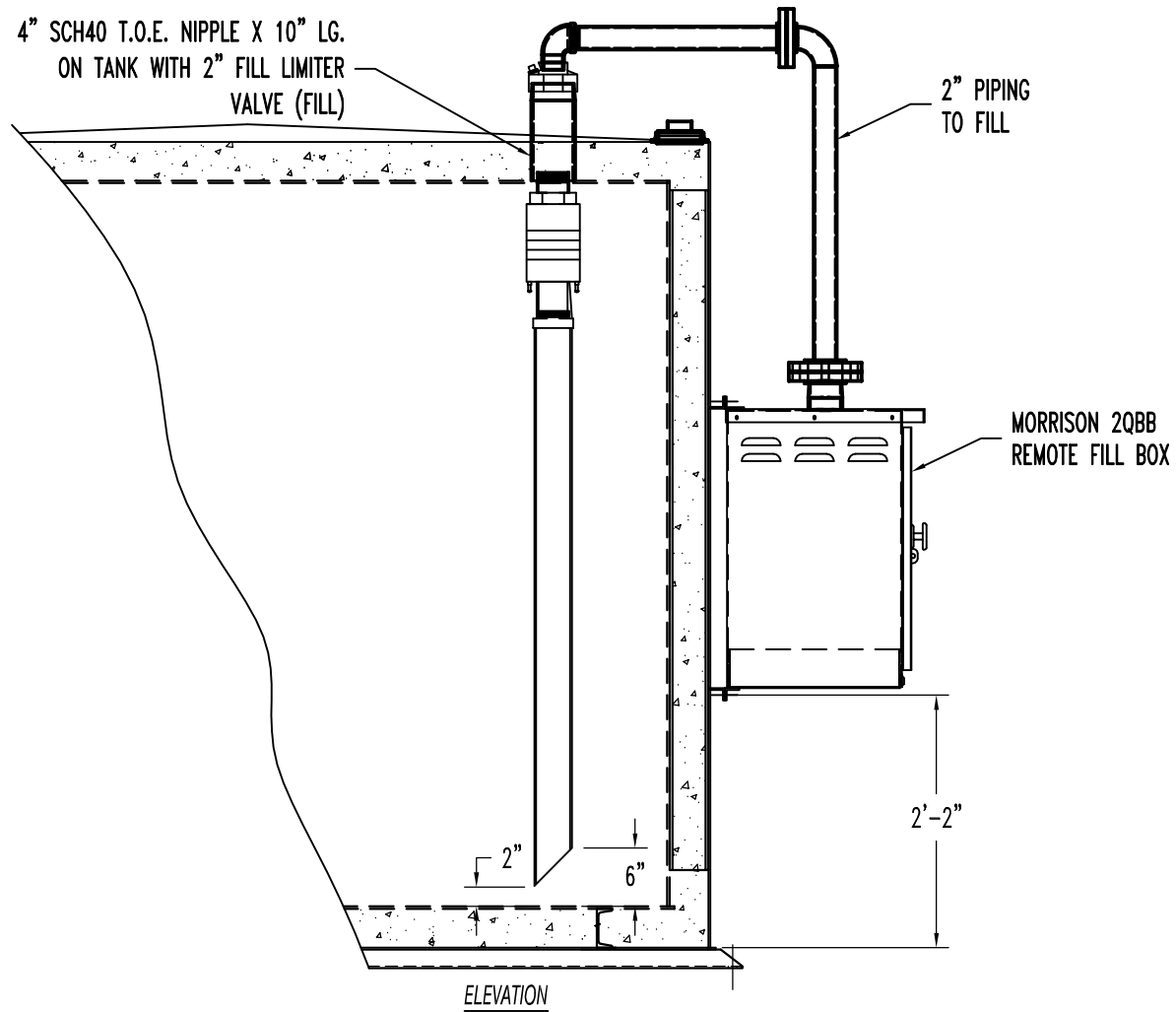


TYPICAL INSTALLATION OF GROUND LEVEL FILL BOX WITH 2" FILL LIMITER VALVE (4" FILL)



NOTES:

1. ALL PIPING SHALL BE CARBON STEEL.
2. ALL FASTENERS SHALL BE STAINLESS STEEL.
3. ALL 150# FLANGE CONNECTIONS SHALL BE SUPPLIED WITH A GASKET.
4. GROUND LEVEL FILL BOX SHALL BE LEVEL WITH THE HORIZONTAL PLANE.

PRODUCT CODE	GALLONS	DESCRIPTION	OVERALL SIZE	SHIP WT.
SBB201		2QBB MORRISON REMOTE BOX W/2" FILL LIMITER VALVE (4" FILL)	2" PIPE	

THIS DRAWING AND DESIGN SHOWN HEREIN IS THE PROPERTY OF CONTAINMENT SOLUTIONS. USE OR COPIES THEREOF CANNOT BE MADE WITHOUT WRITTEN CONSENT.

CUSTOMER NAME _____

APPROVED BY: _____ DATE: _____

CONTAINMENT SOLUTIONS

DRAWN BY: D. ROVANG DATE DRAWN: 01-01-14

DWG NUMBER: SBB201 SCALE:

REV: REV BY: DATE: SHEET: 1 OF 1