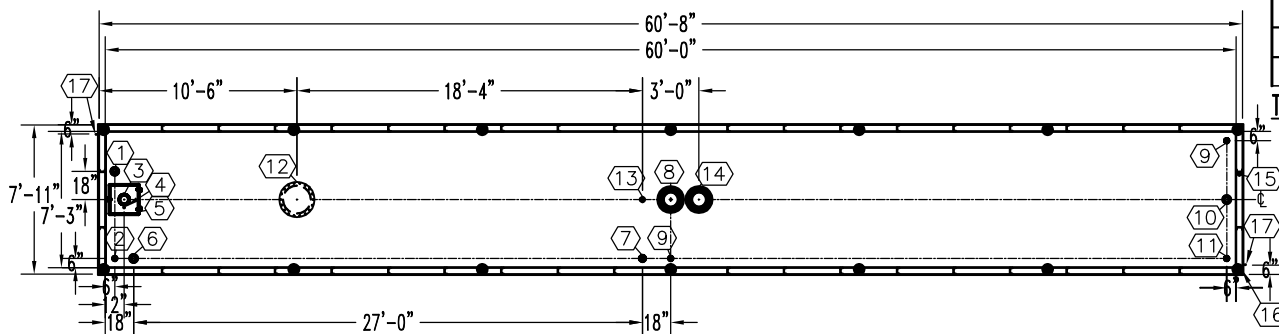


**NOTE:**  
 OVERALL SHIPPING DIMENSION: 61'-0" L X 8'-6" W X 8'-1" H

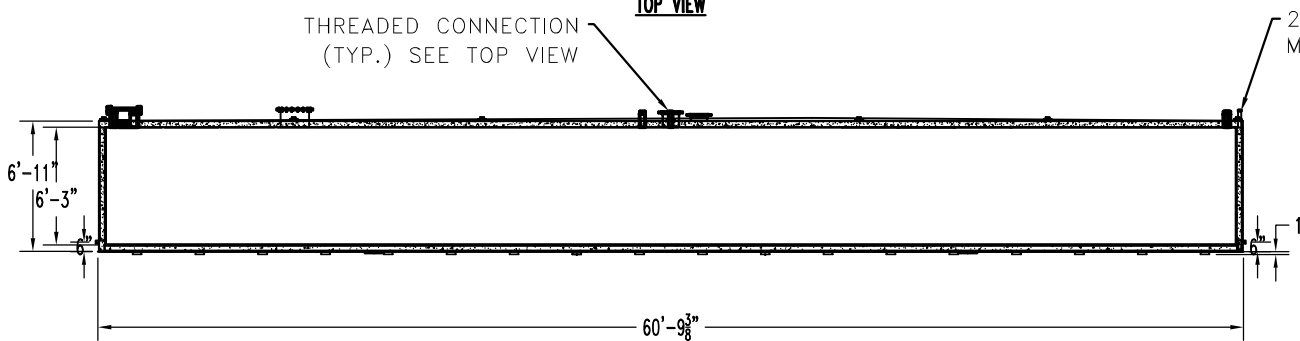
ITEM	SIZE	SUGGESTED FUNCTION
1	4"	PHASE 1 VAPOR RECOVERY/SPARE
2	2"	MECHANICAL GAUGE
3	6"	FILL
4	1/2"	DRAIN FOR SPILLBOX
5	15 GAL.	SPILLBOX, DWG."SBB001"
6	4"	ELECTRONIC LEVEL GAUGE
7	3"	PRIMARY WORKING VENT
8	10"	PRIMARY TANK EMERGENCY VENT
9	2"	SPARE
10	4"	SUBMERSIBLE PUMP
11	2"	SUCTION PUMP/SPARE
12	18"	ABOVE LIQUID MANHOLE, DWG."MHB001"
13	2"	SECONDARY WORKING VENT
14	10"	SECONDARY CONTAINMENT EMERGENCY VENT
15	2"	SECONDARY MONITOR PIPE
16	4"	FIRE RATED MATERIAL FILL
17	2" X 2"	GROUND CLIP, DWG."MCB004"



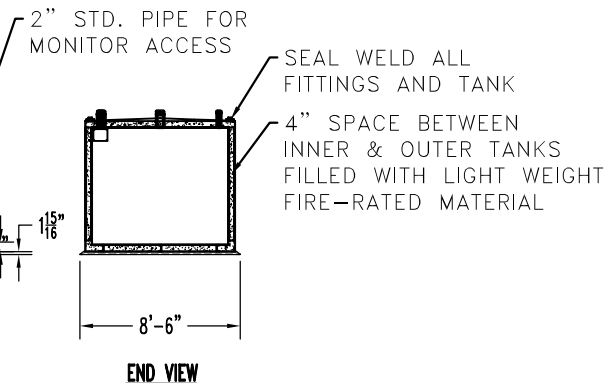
**TANK SPECIFICATIONS**

VENTING CAPACITY: PRIMARY TANK - 493,000 CUBIC FEET PER HOUR  
 SECONDARY TANK - 524,000 CUBIC FEET PER HOUR  
 MATERIAL: PRIMARY TANK - 1/4" THICK  
 SECONDARY TANK - 3/16" THICK

**TOP VIEW**  
 THREADED CONNECTION  
 (TYP.) SEE TOP VIEW



**ELEVATION**



**END VIEW**

PRODUCT CODE	GALLONS	DESCRIPTION	OVERALL SIZE	SHIP WT.
V4AA120MVS001	20,000	U/L-2085 ABOVE GROUND VAULT TANK W/SPILLBOX	60'-8" L X 7'-11" W X 7'-1" H	76,900 LBS.

THIS DRAWING AND DESIGN SHOWN HEREIN IS THE PROPERTY OF CONTAINMENT SOLUTIONS. USE OR COPIES THEREOF CANNOT BE MADE WITHOUT WRITTEN CONSENT.

CUSTOMER NAME: \_\_\_\_\_  
**APPROVED** BY: \_\_\_\_\_ DATE: \_\_\_\_\_



DRAWN BY: D. ROVANG DATE DRAWN: 01-01-14  
 DWG NUMBER: 5100014 SCALE: 1:125  
 REV: \_\_\_\_\_ REV BY: \_\_\_\_\_ DATE: \_\_\_\_\_ SHEET: 1 OF 1