



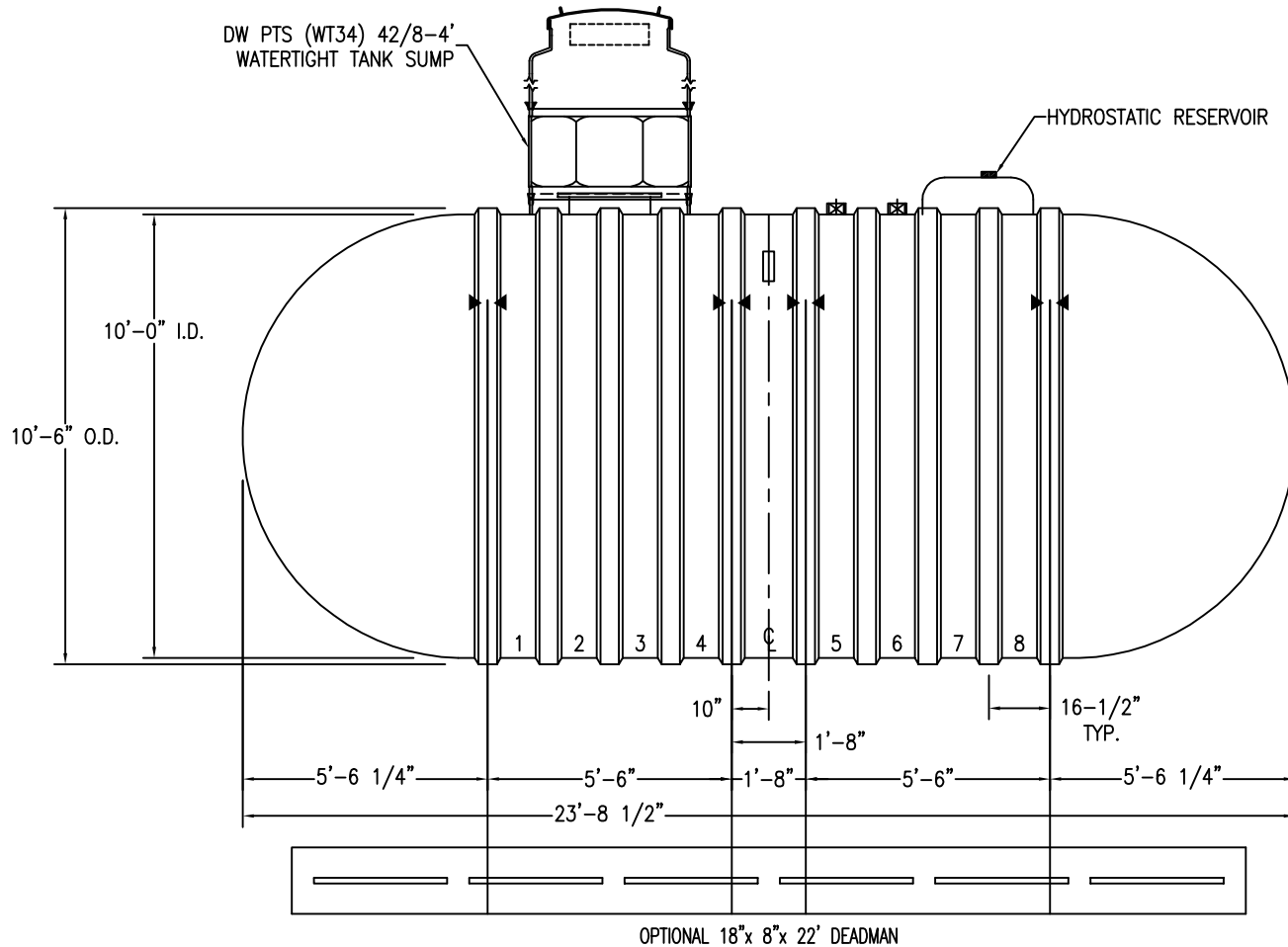
22" FLGD. MANWAY
w/4-4" C.S. NPT FTGS.
& COVER

4" FRP NPT FTGS. (2 TYP.)

42" DOUBLE WALL CONTAINMENT COLLAR

DW PTS (WT34) 42/8-4"
WATERTIGHT TANK SUMP

HYDROSTATIC RESERVOIR



NOTES:

- ▶◀ HOLD DOWN STRAP LOCATION
- TYPE "13" LIFT LUG - SD
- TYPE "13" LIFT LUG - HD

HYDROGUARD (10')-12000		DATE:	10/01/18
SINGLE-SUMP SYSTEM		DRAWN BY:	R.OXNER
CONTAINMENT SOLUTIONS S.	CAPACITY:	REVISED:	
	WEIGHT:	11,873	DWG NUMBER:
	8600		1012DWHG-US